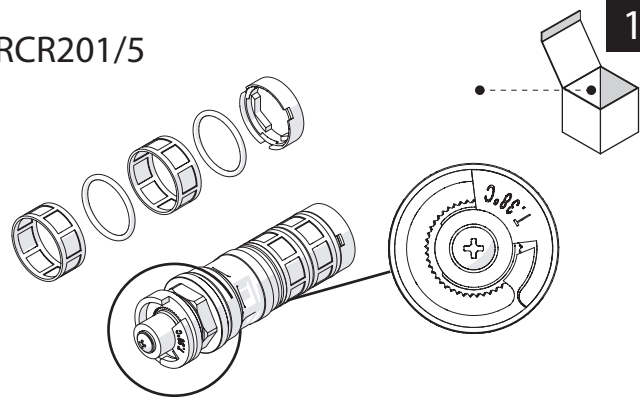
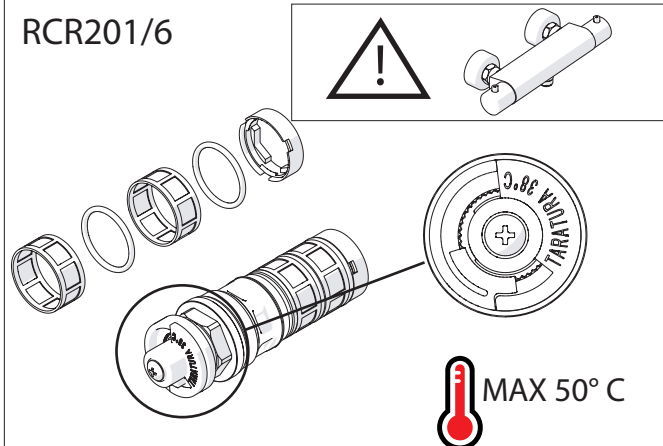


RCR201/5

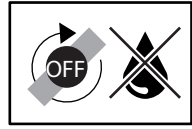
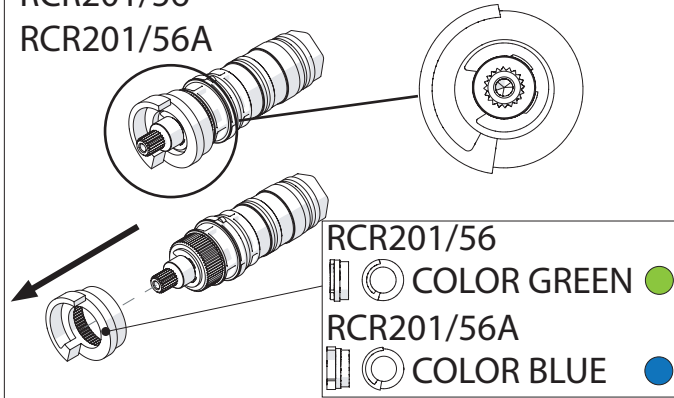


1

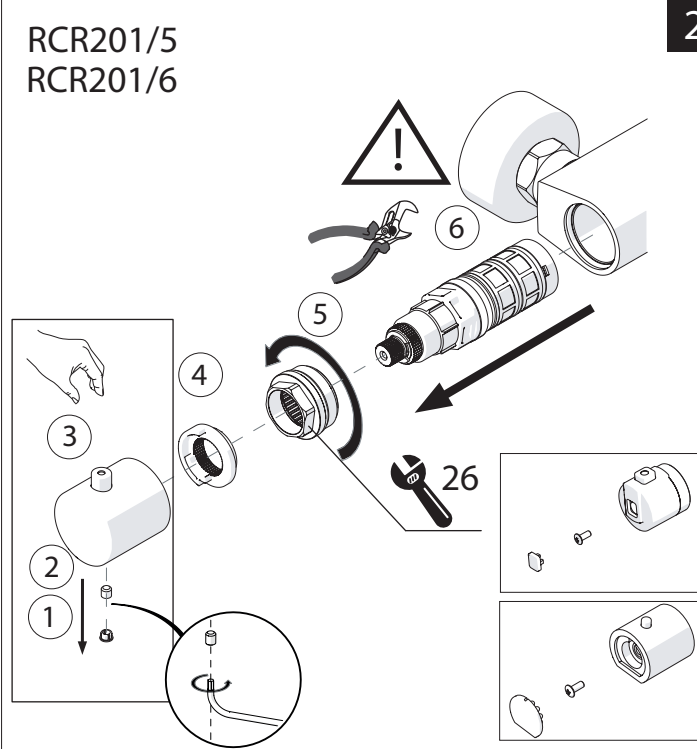
RCR201/6



RCR201/56
RCR201/56A

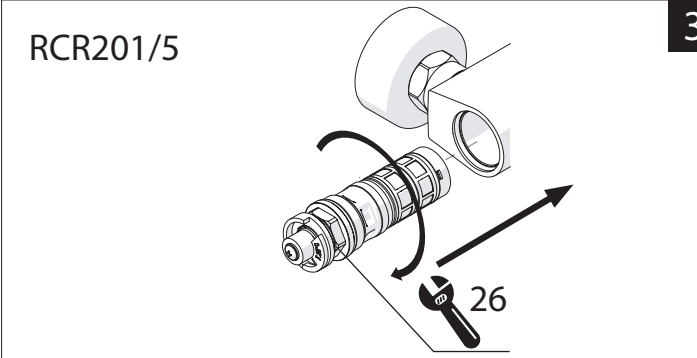


RCR201/5
RCR201/6



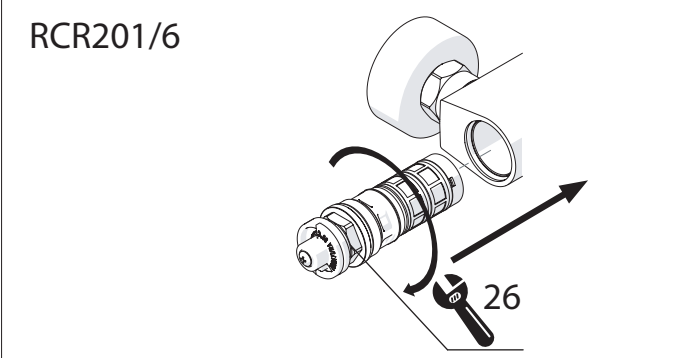
2

RCR201/5

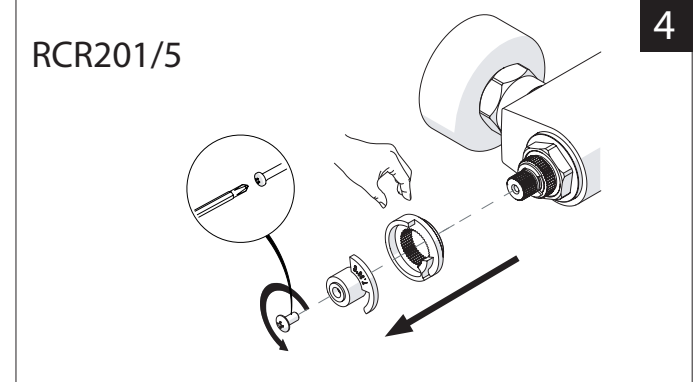


3

RCR201/6

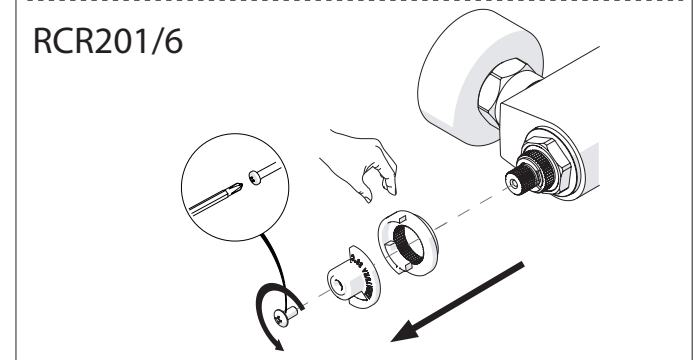


RCR201/5

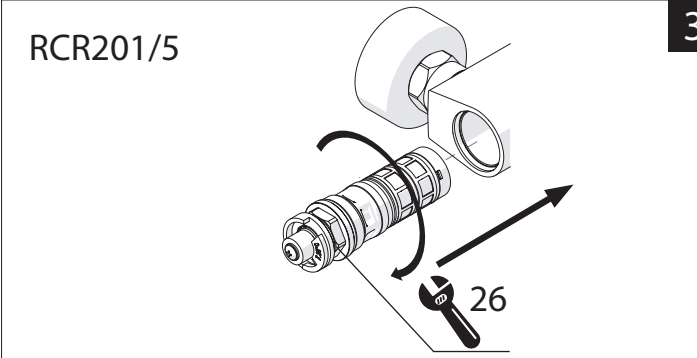


4

RCR201/6

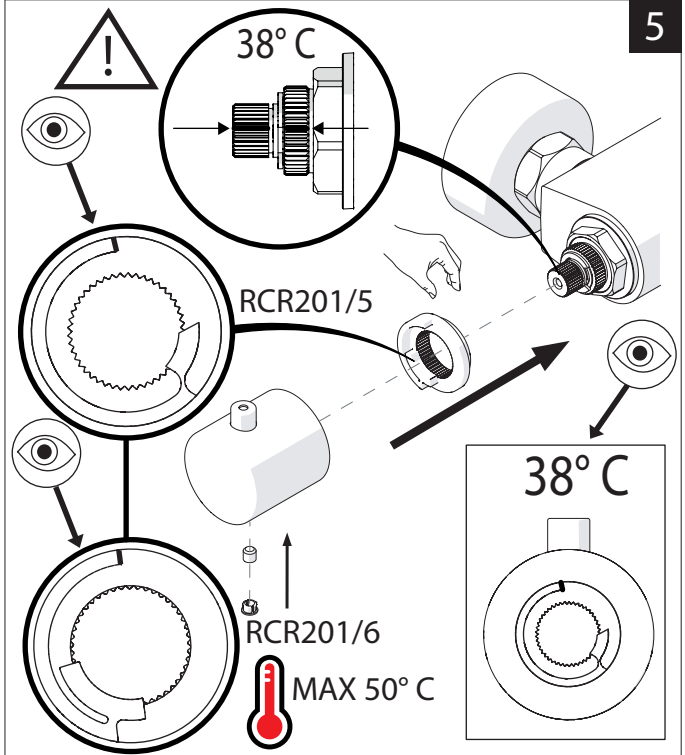
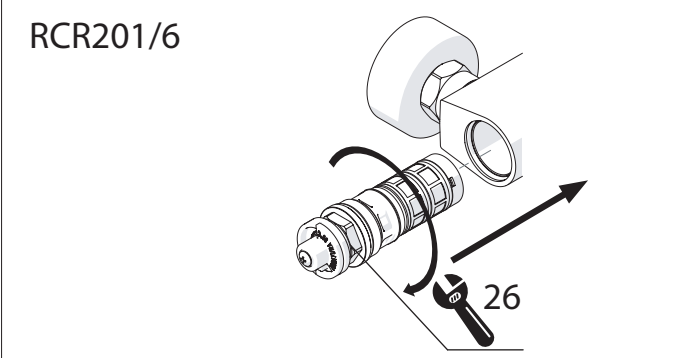


RCR201/5



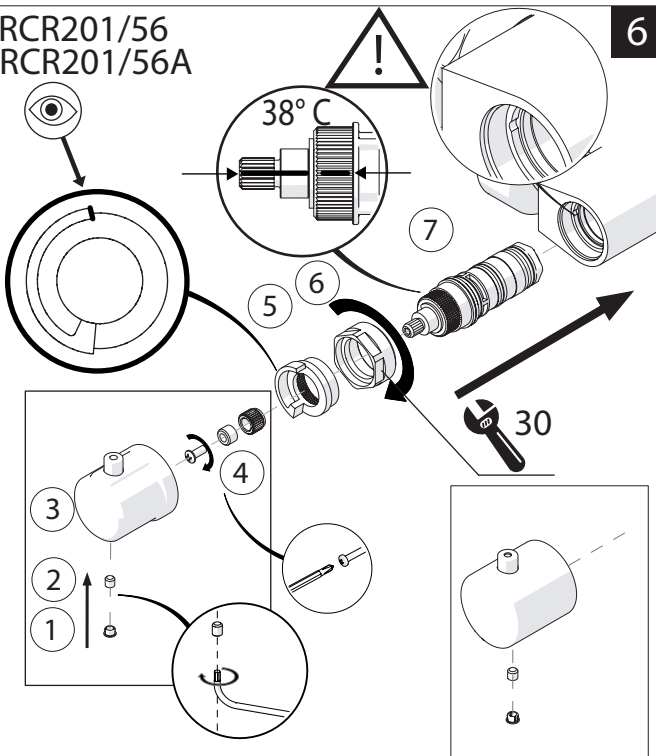
5

RCR201/6



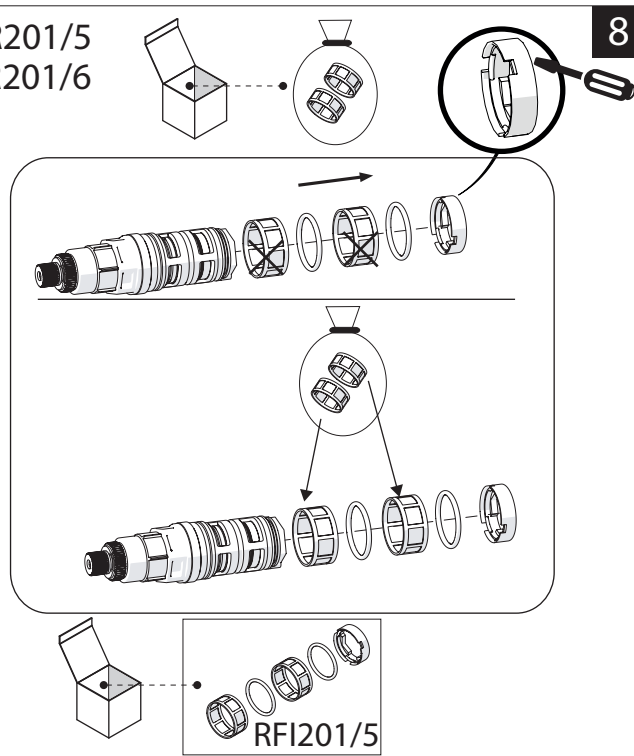
RCR201/56
RCR201/56A

6

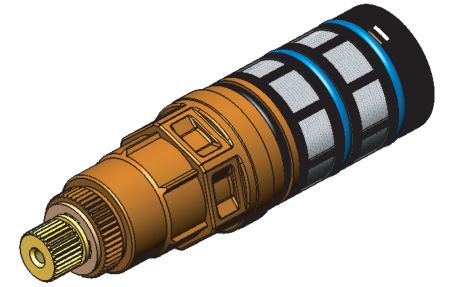


RCR201/5
RCR201/6

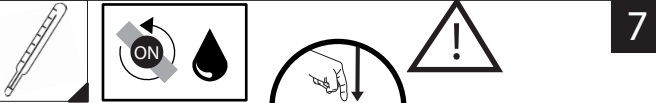
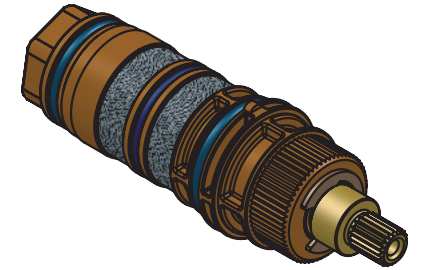
8



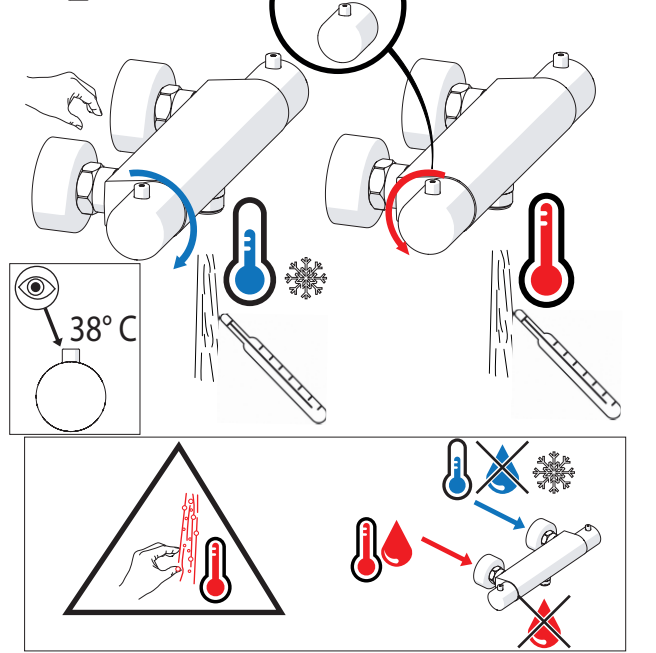
RCR201/5
RCR201/6



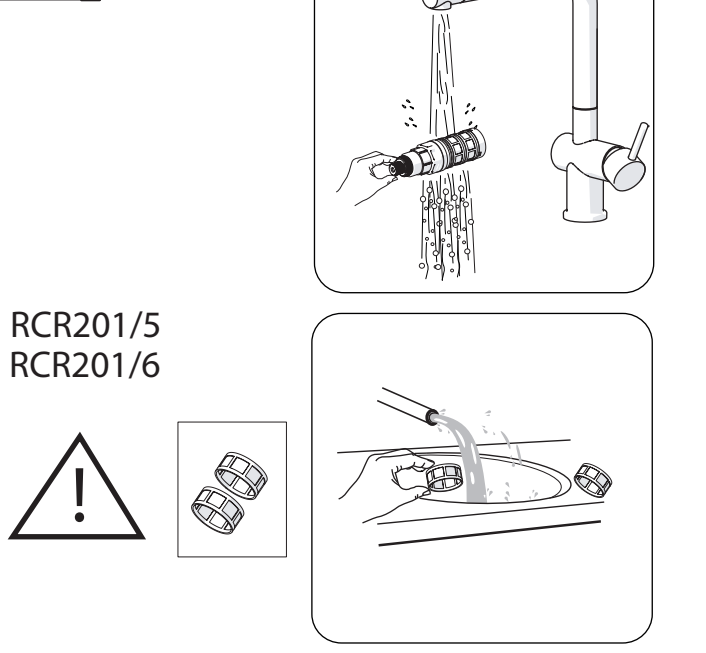
RCR201/56
RCR201/56A



7



9

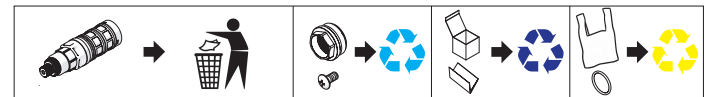


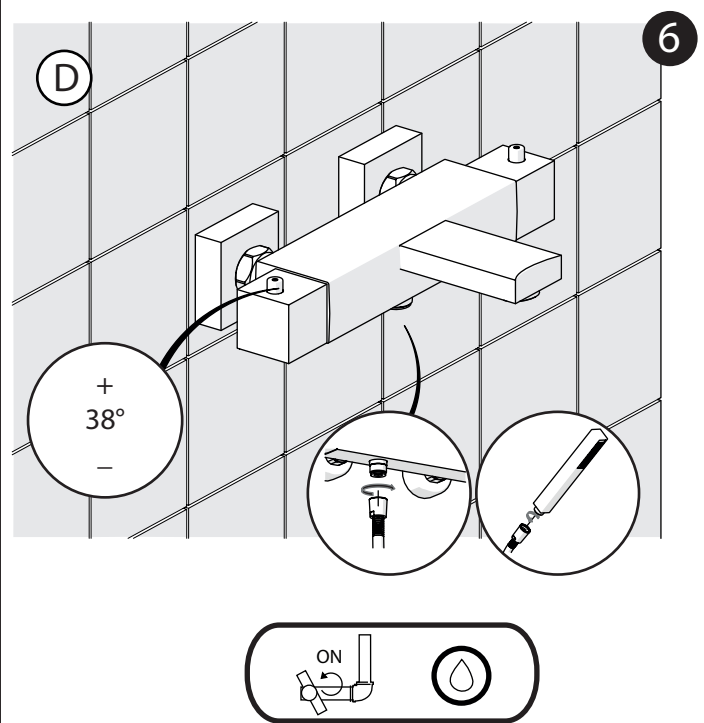
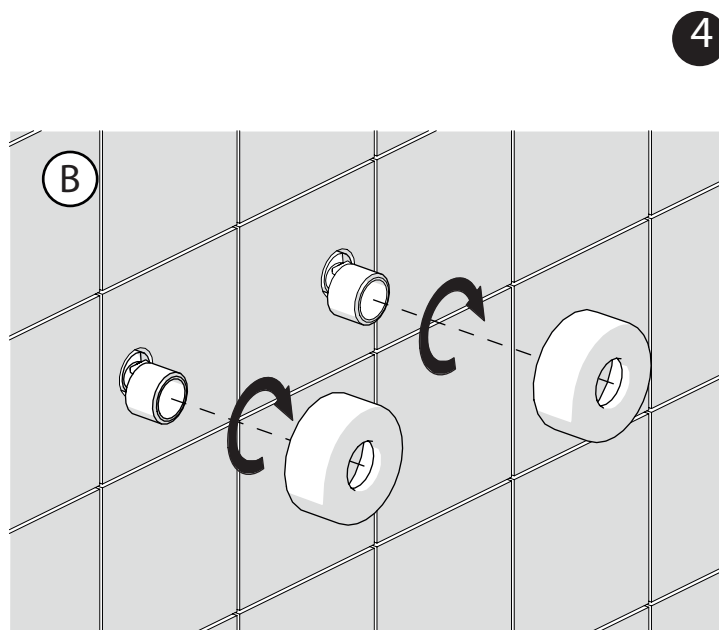
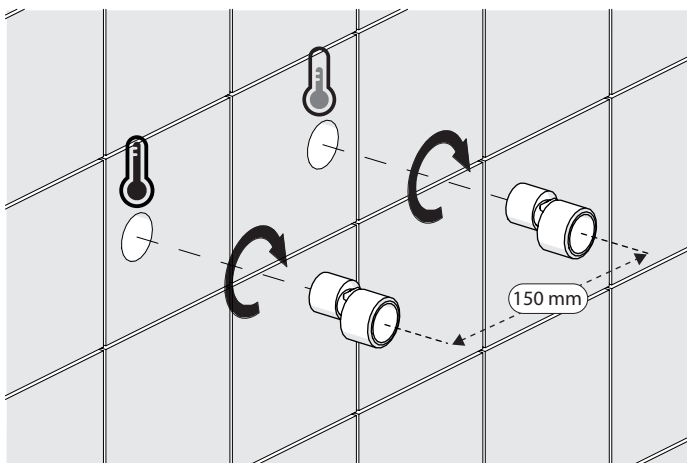
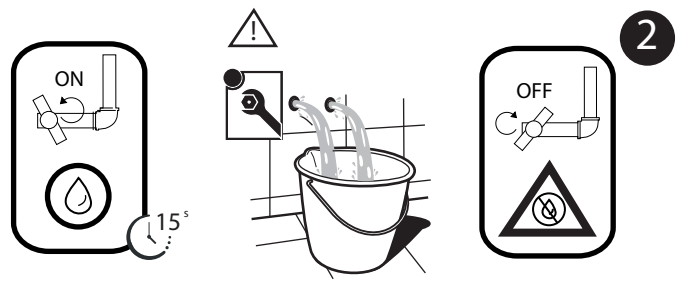
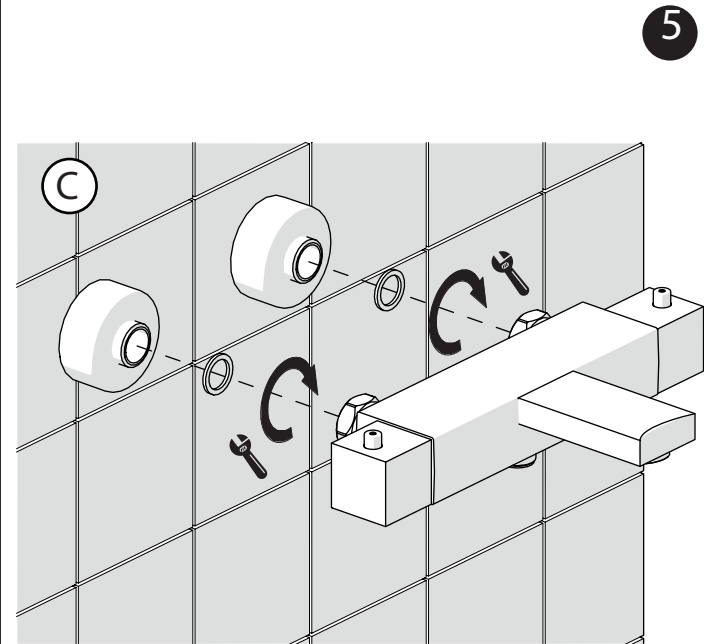
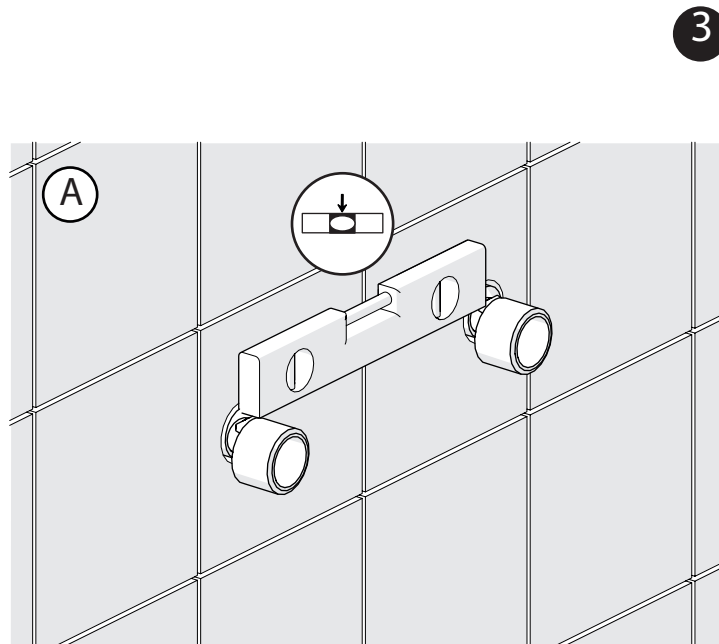
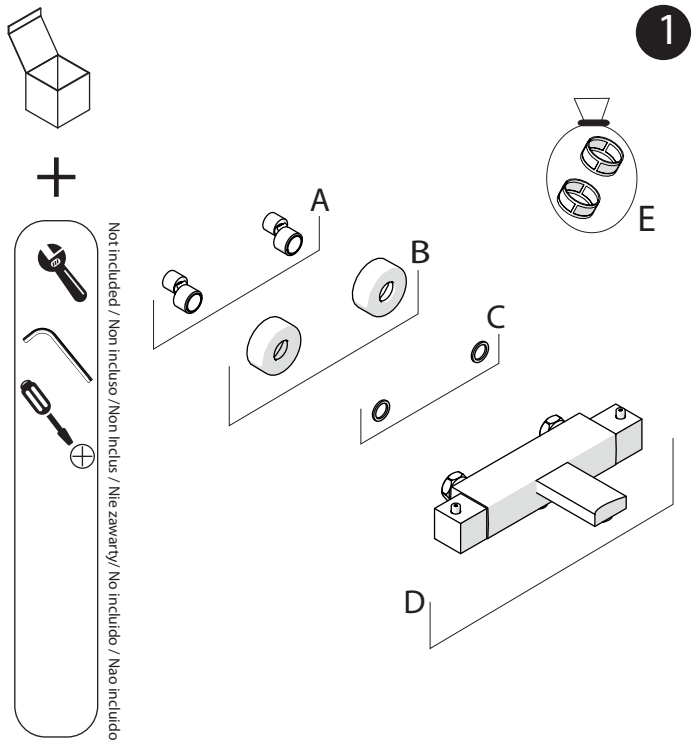
RCR201/5
RCR201/6

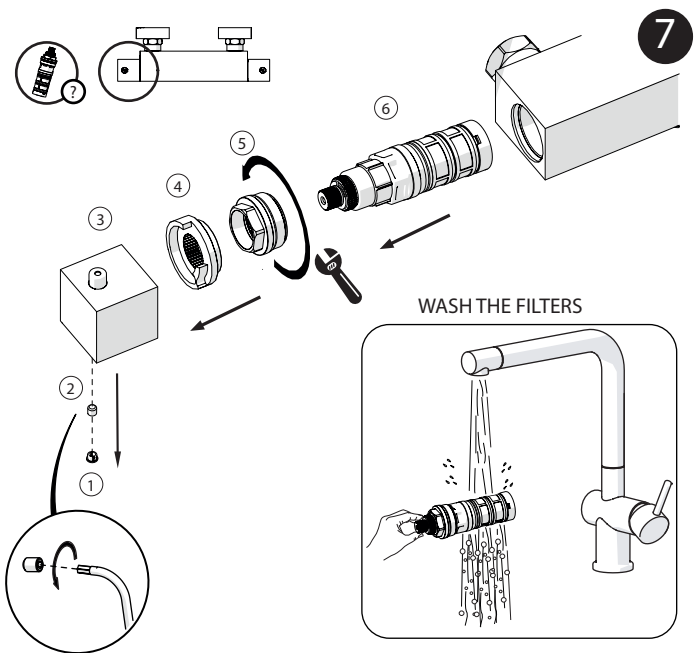


	P P bar	MAX 10 0,5 MIN	5 1	
--	-------------------	-------------------	--------	--

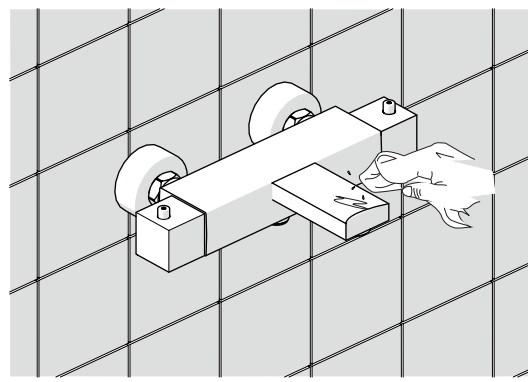
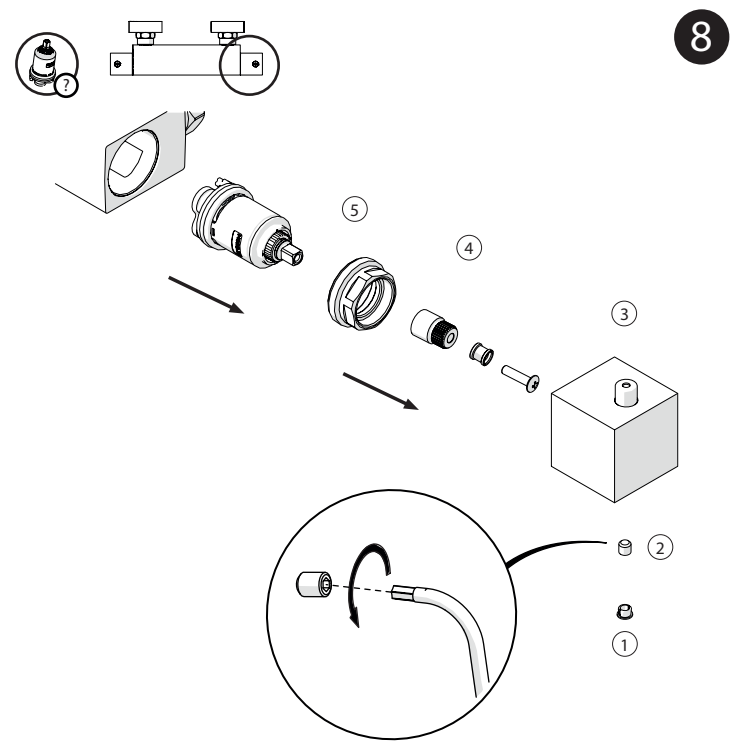
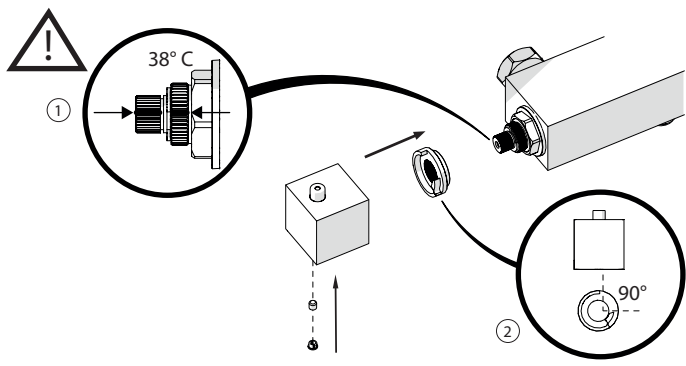
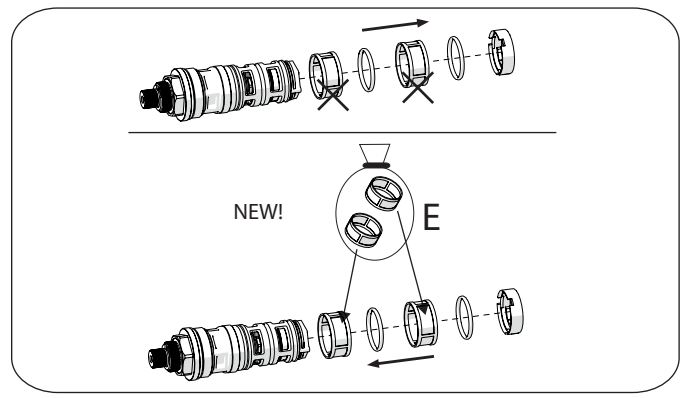
	T T °C	MAX 80	65 45	
--	------------------	--------	----------	--



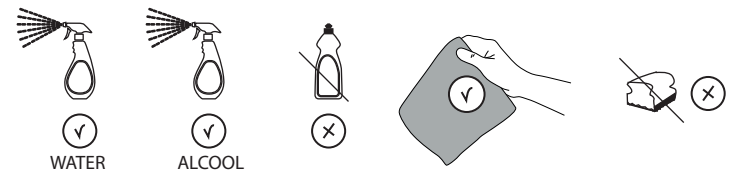




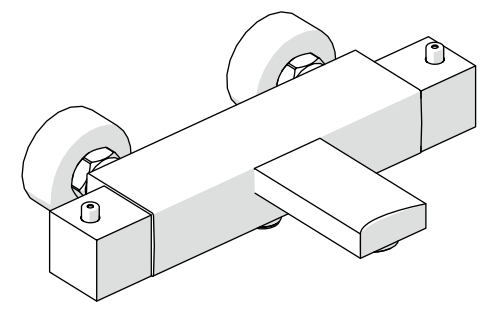
CHANGE FILTERS (spare into the box)



CLEANING



NOBILIS
The Best Technology for Water



MI102010/1 SF00010/1 RY00010/1 TGQ85310/1
SL00010/1

IISTRSF00010_1#---STD



www.grupponobili.it

REV1.03/2014

