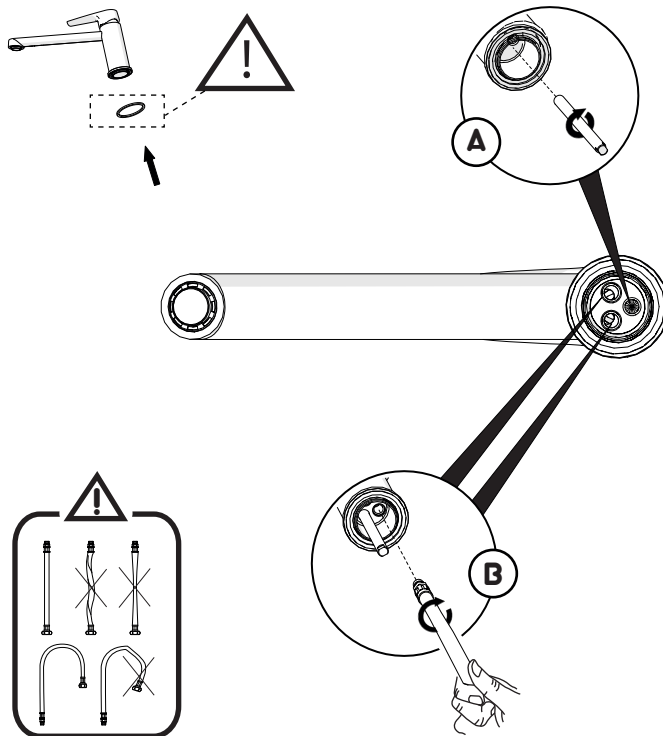


Not included / Non incluso / Non Inclus / Nie zawarty / No incluido / Nao incluido

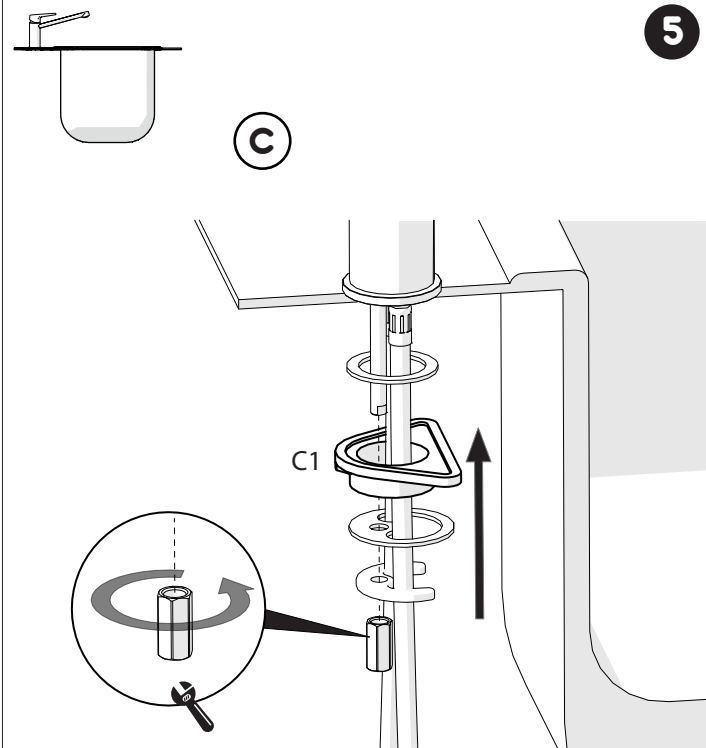
+



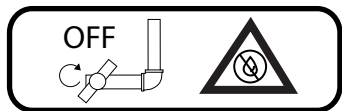
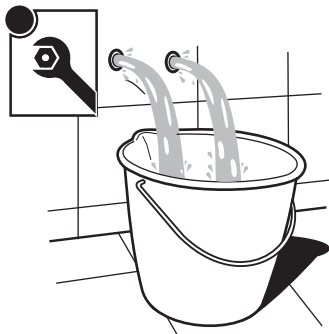
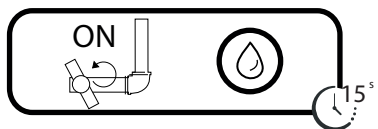
1



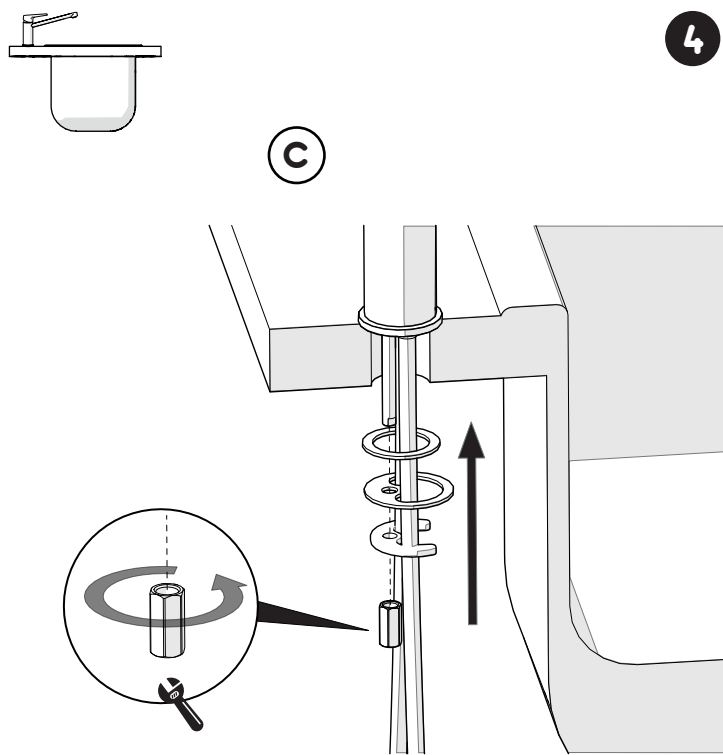
3



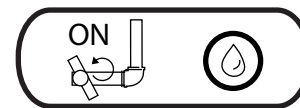
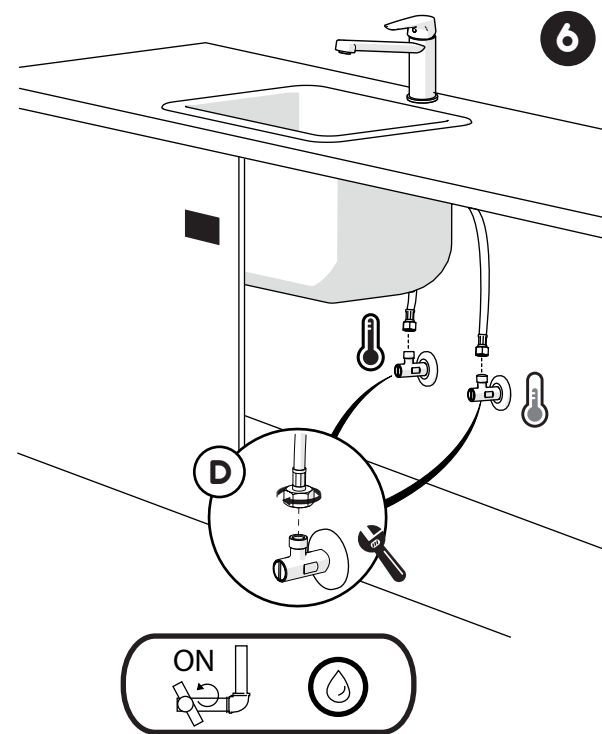
2



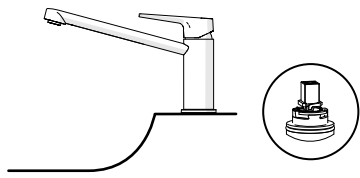
4



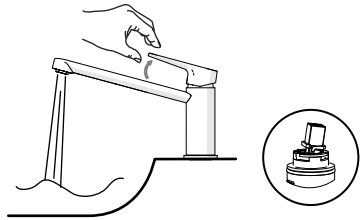
6



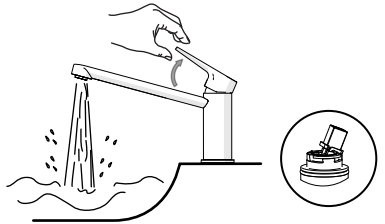
-50%



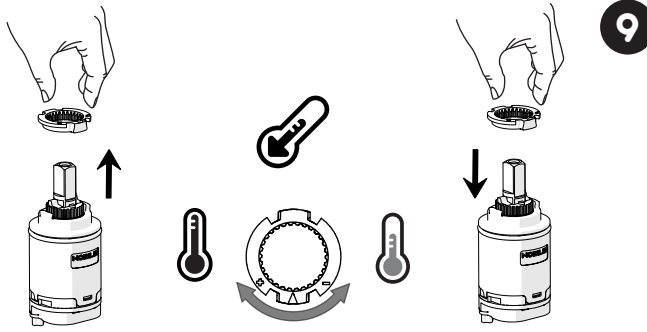
7



ON 50%



ON 100%

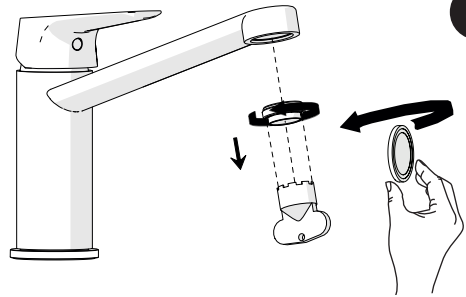
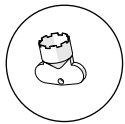
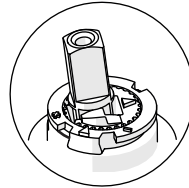
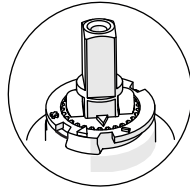
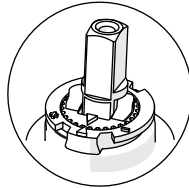


9

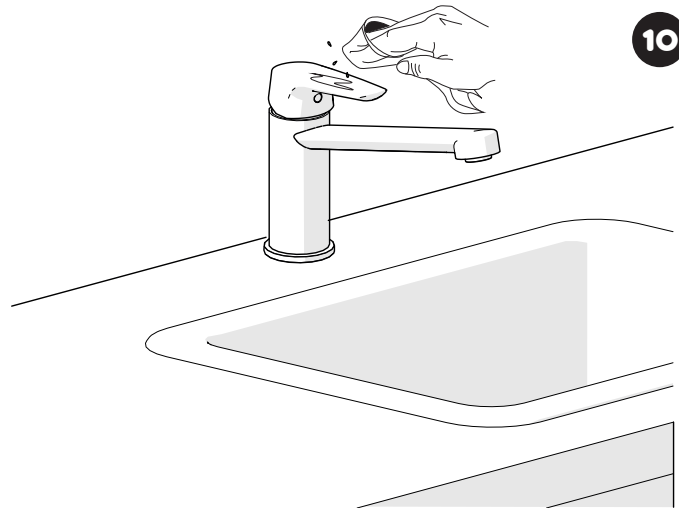
No limitation of temperature

Partial limitation of temperature

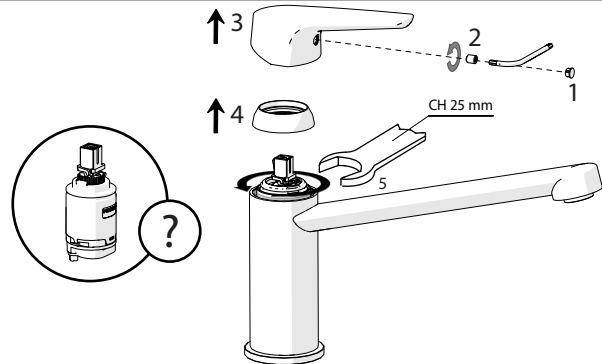
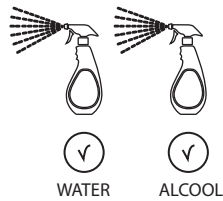
Maximum position Only cold water



8



10



www.grupponobili.it

IISTR00113/25#--STD

NOBILIS
The Best Technology for Water

REV2.04/2014

