



SPECIFICATIONS

Dual control

Chrome

Anti limescale aerator M 16,5 x 1

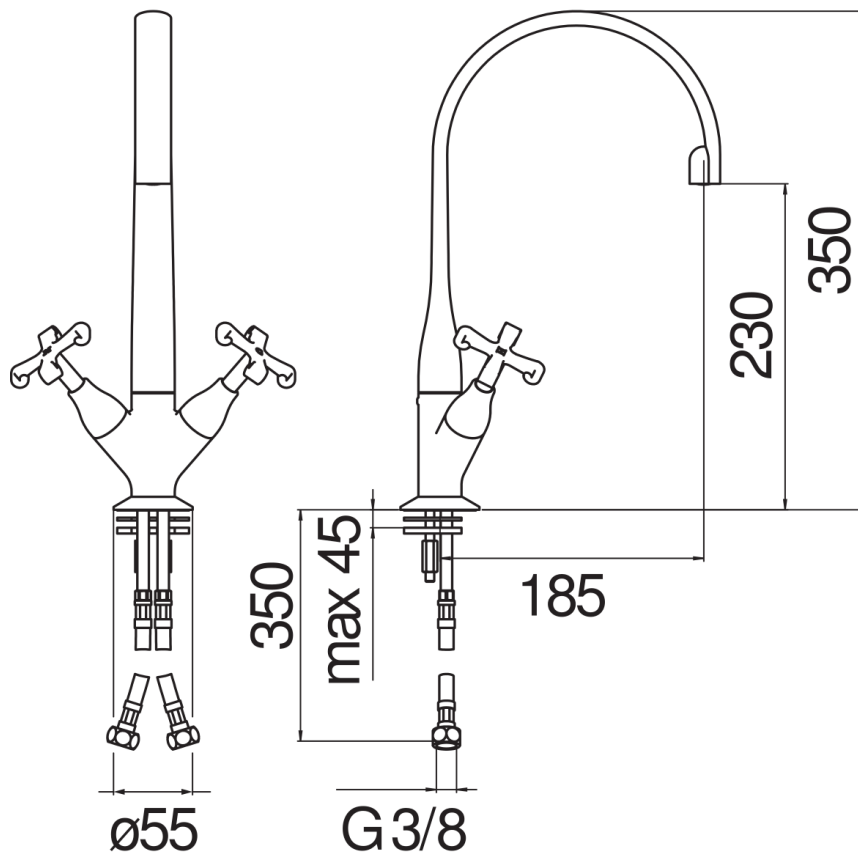
360° swivel spout

Ø 3/8" stainless steel flexible pipe

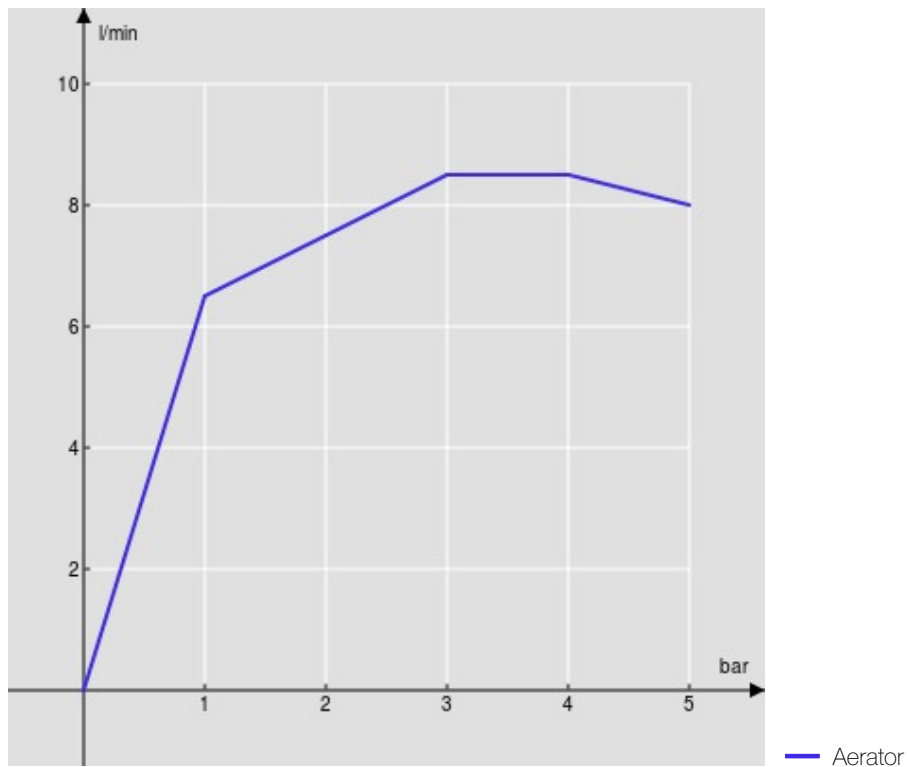
Packaging: 56,5 x 29 x 7,1 cm / 0,01163 m³ / 2,17 kg

CERTIFICATIONS





FLOW RATE DIAGRAM: HOT/COLD WATER



FLOW RATE DIAGRAM: MIXED WATER

