



SPECIFICATIONS

External unit

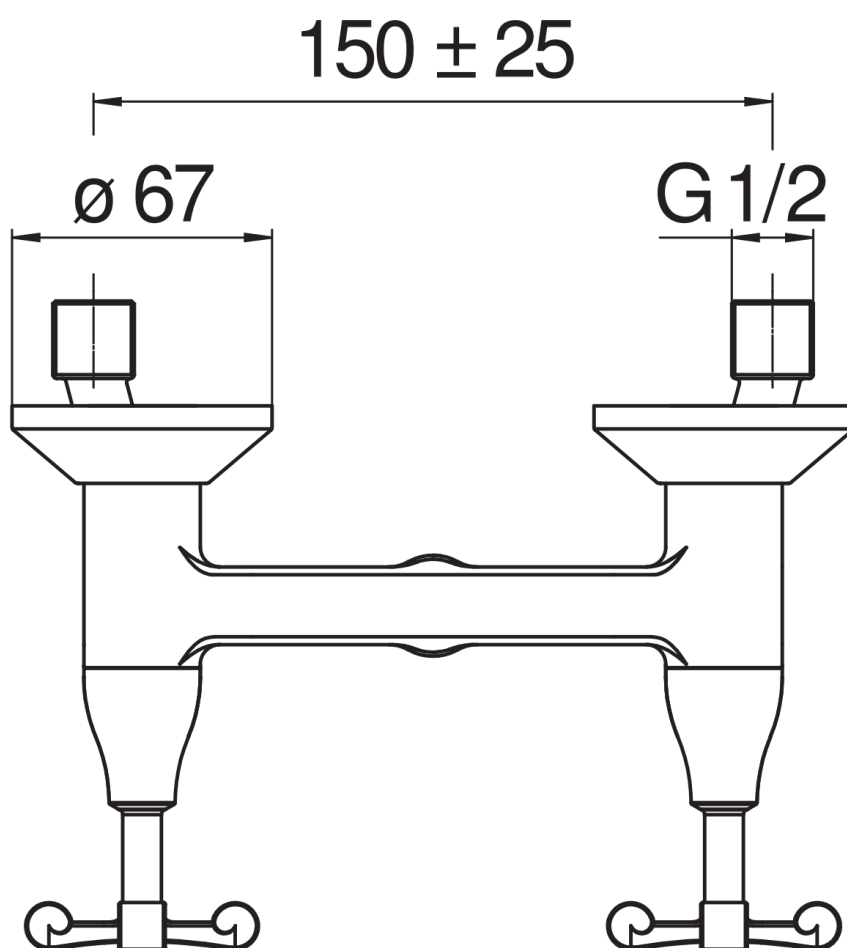
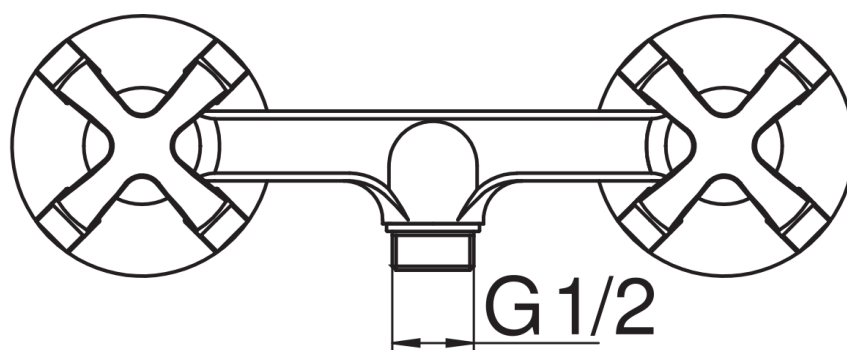
Chrome

ø 1/2" outlet

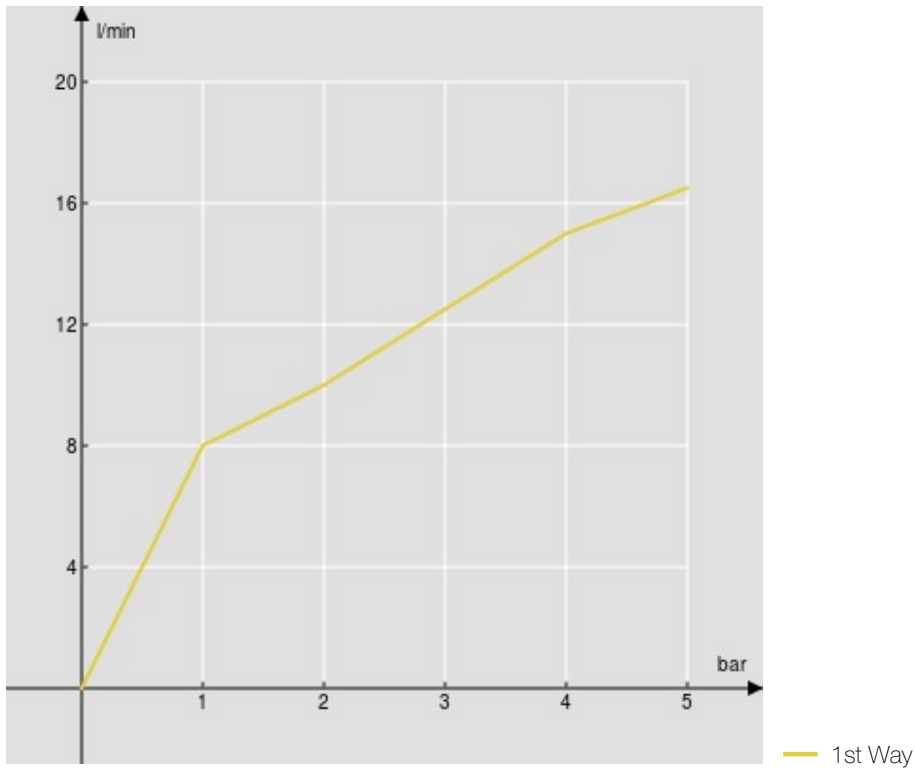
Packaging: 41,2 x 16,4 x 7,1 cm / 0,0048 m³ / 1,66 kg

CERTIFICATIONS





FLOW RATE DIAGRAM: HOT/COLD WATER



FLOW RATE DIAGRAM: MIXED WATER

