



SPECIFICATIONS

Single control

Chrome

Anti limescale aerator M 24 x 1

1 1/4" push waste

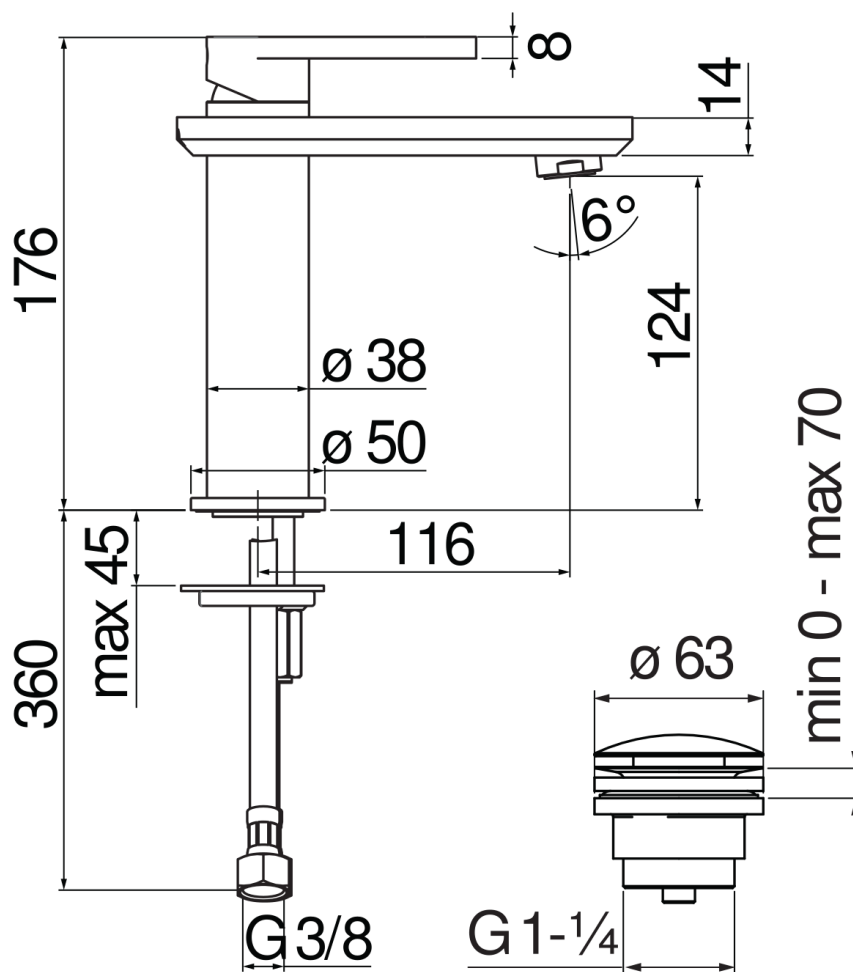
ø 3/8" stainless steel flexible pipe

50% two step cartridge for water saving

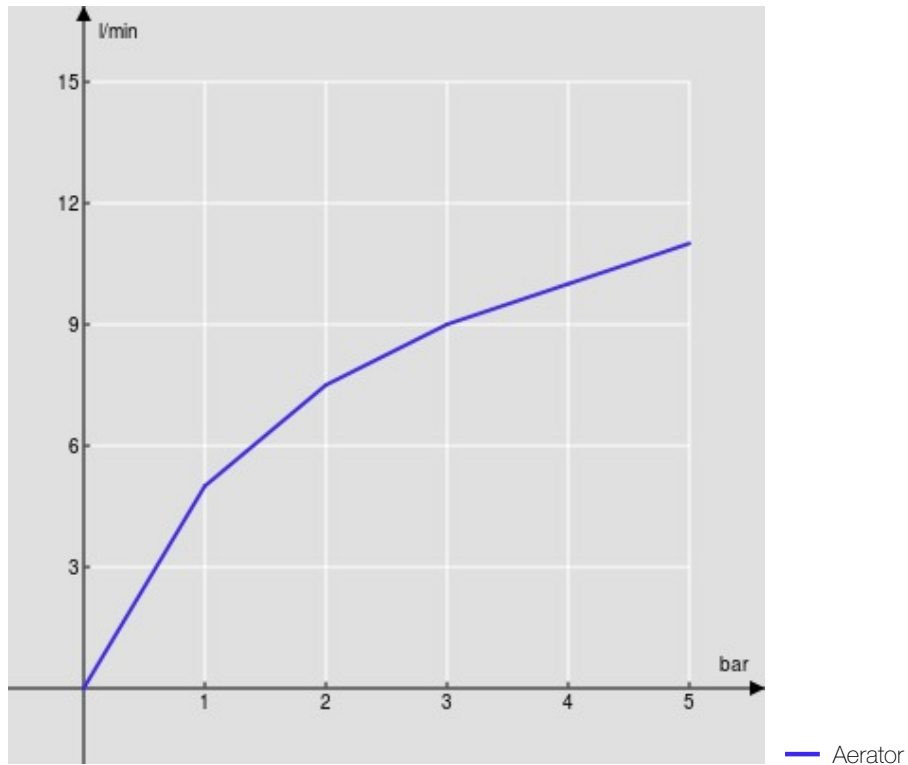
Packaging: 41 x 21 x 7 cm / 0,006066 m³ / 2 kg

CERTIFICATIONS





FLOW RATE DIAGRAM: HOT/COLD WATER



FLOW RATE DIAGRAM: MIXED WATER

