



SPECIFICATIONS

Dual-lever with filtration system

Ambra brushed PVD

360° swivel spout

Anti limescale aerator M 22 x 1, filtered water aerator

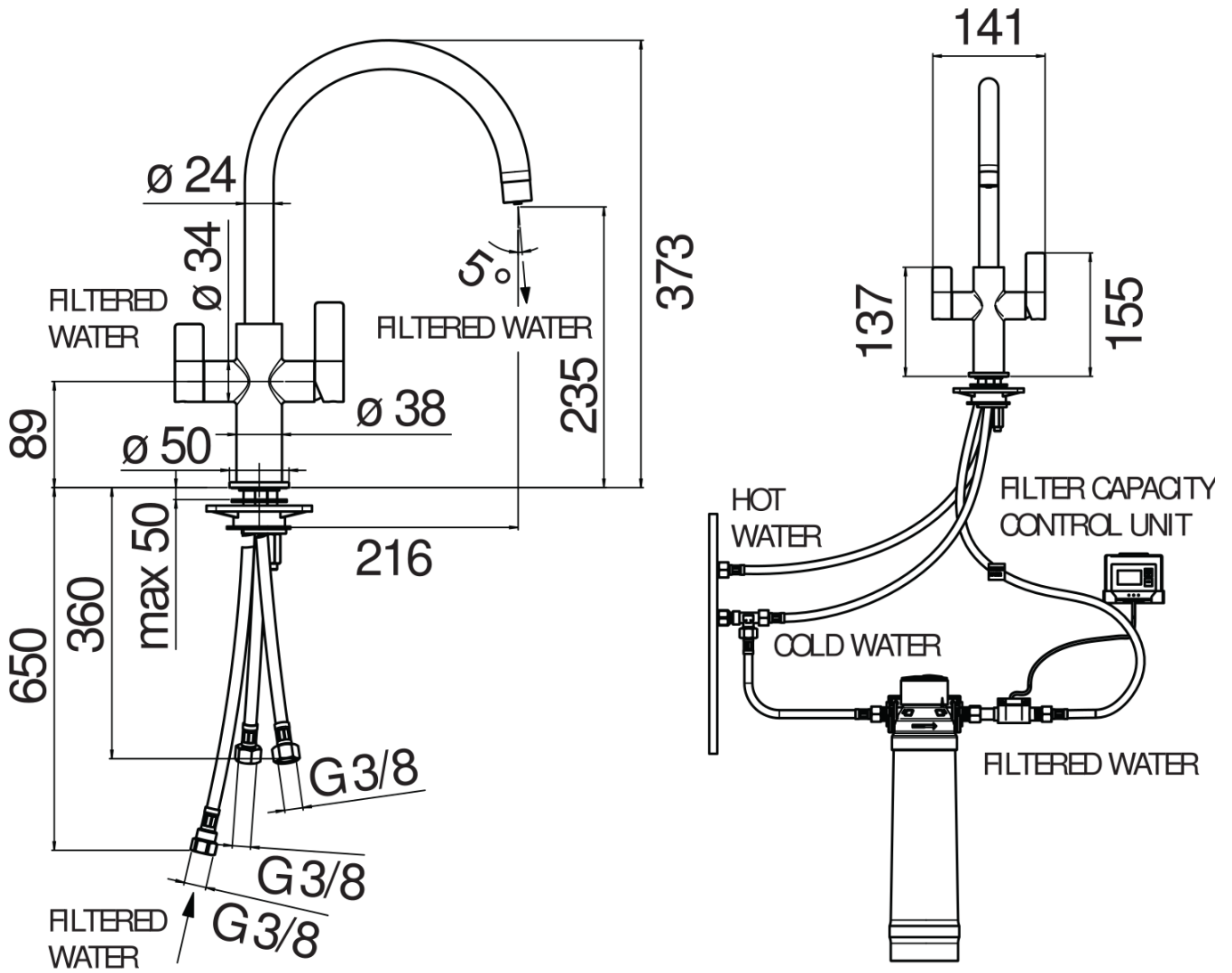
AQA drink Zinc + Magnesium BWT 650 litre filter (22 °f)

Filter capacity control litre meter (batteries not included)

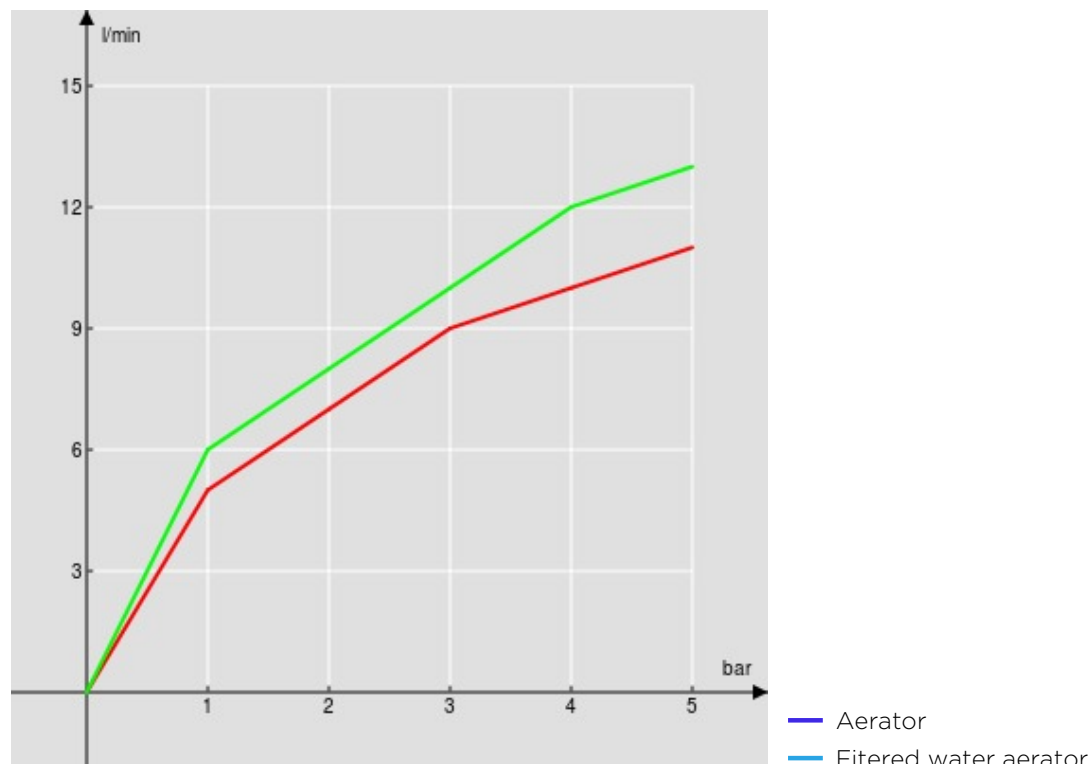
ø 3/8" stainless steel flexible pipe

50% two step cartridge for water saving

Packaging: 66 x 34,5 x 7 cm / 0,01594 m³ / 2,63 kg



FLOW RATE DIAGRAM: HOT/COLD WATER



FLOW RATE DIAGRAM: MIXED WATER

