



SPECIFICATIONS

Basin infrared control

Moon drop PVD

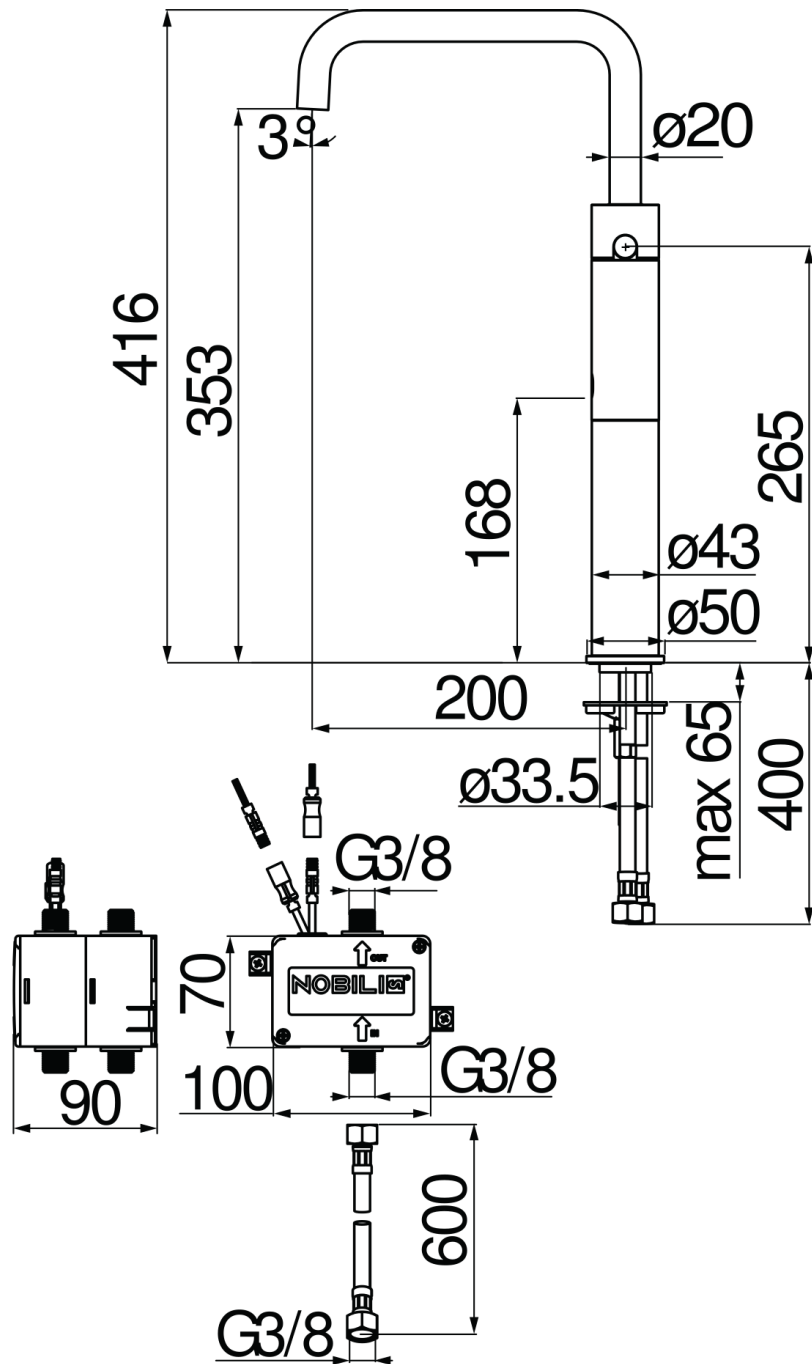
Anti limescale aerator M 18 x 1, flow rate 5 l/min

Swivel spout

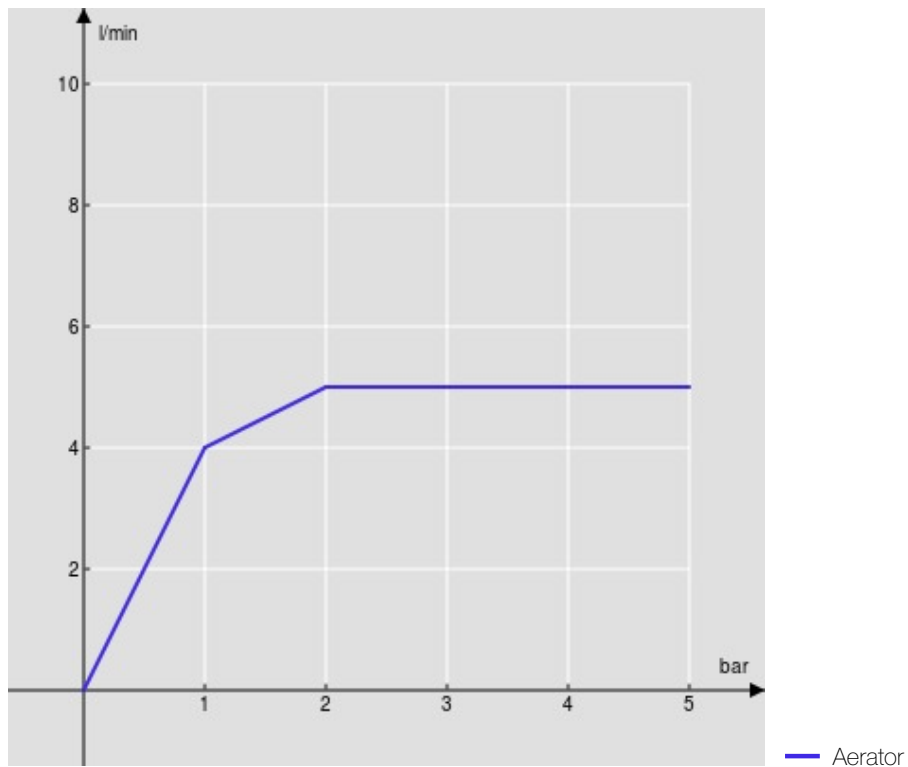
Battery powered

Without waste, ø 3/8" stainless steel flexible pipe

Packaging: 56,5 x 29 x 7,1 cm / 0,01163 m³ / 4,13 kg



FLOW RATE DIAGRAM: HOT/COLD WATER



FLOW RATE DIAGRAM: MIXED WATER

