



SPECIFICATIONS

Water- and energy-saving single control mixer, long spout

Chrome

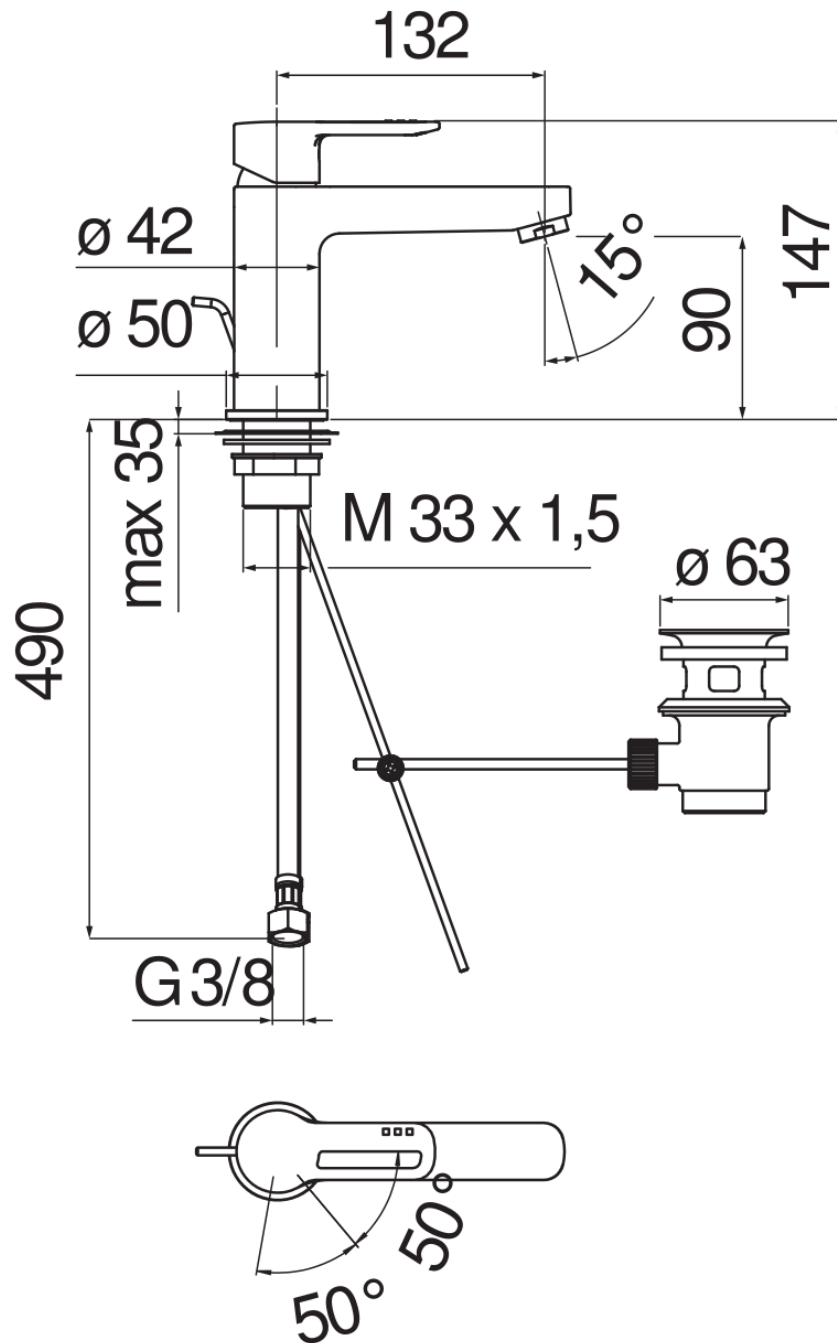
Anti limescale aerator M 24 x 1, flow rate 5 l/min

1 1/4" waste with patented SNAP system

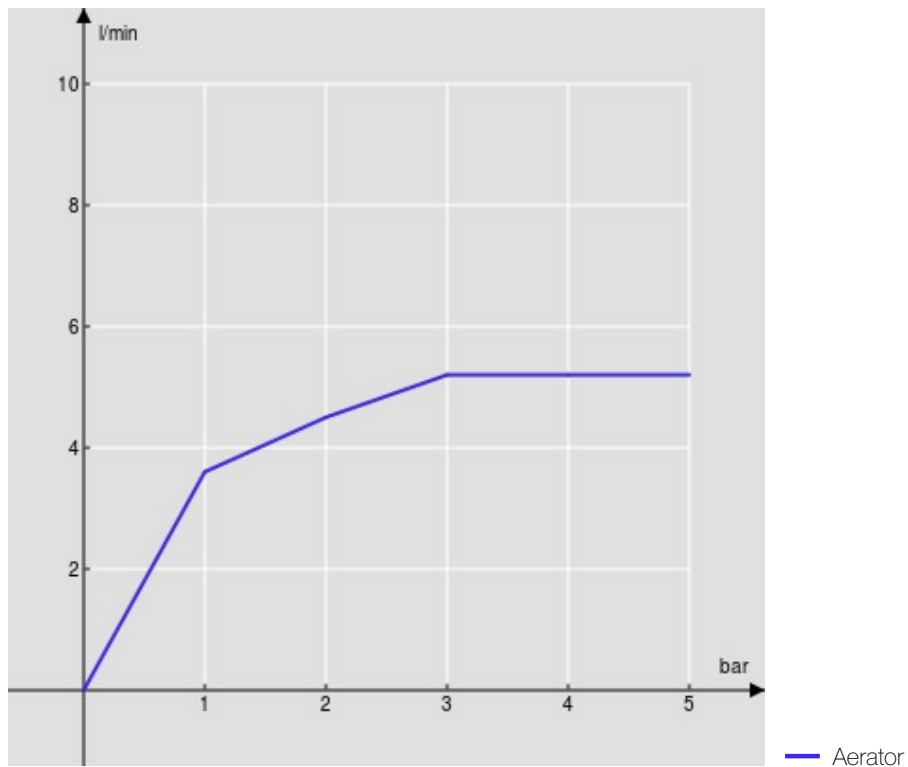
ø 3/8" stainless steel flexible pipe

Energy saving system with cold water side opening

Packaging: 41,5 x 21,2 x 7,8 cm / 0,00686 m³ / 1,9 kg



FLOW RATE DIAGRAM: HOT/COLD WATER



FLOW RATE DIAGRAM: MIXED WATER

