



SPECIFICATIONS

Energy and water saving basin single control

Chrome

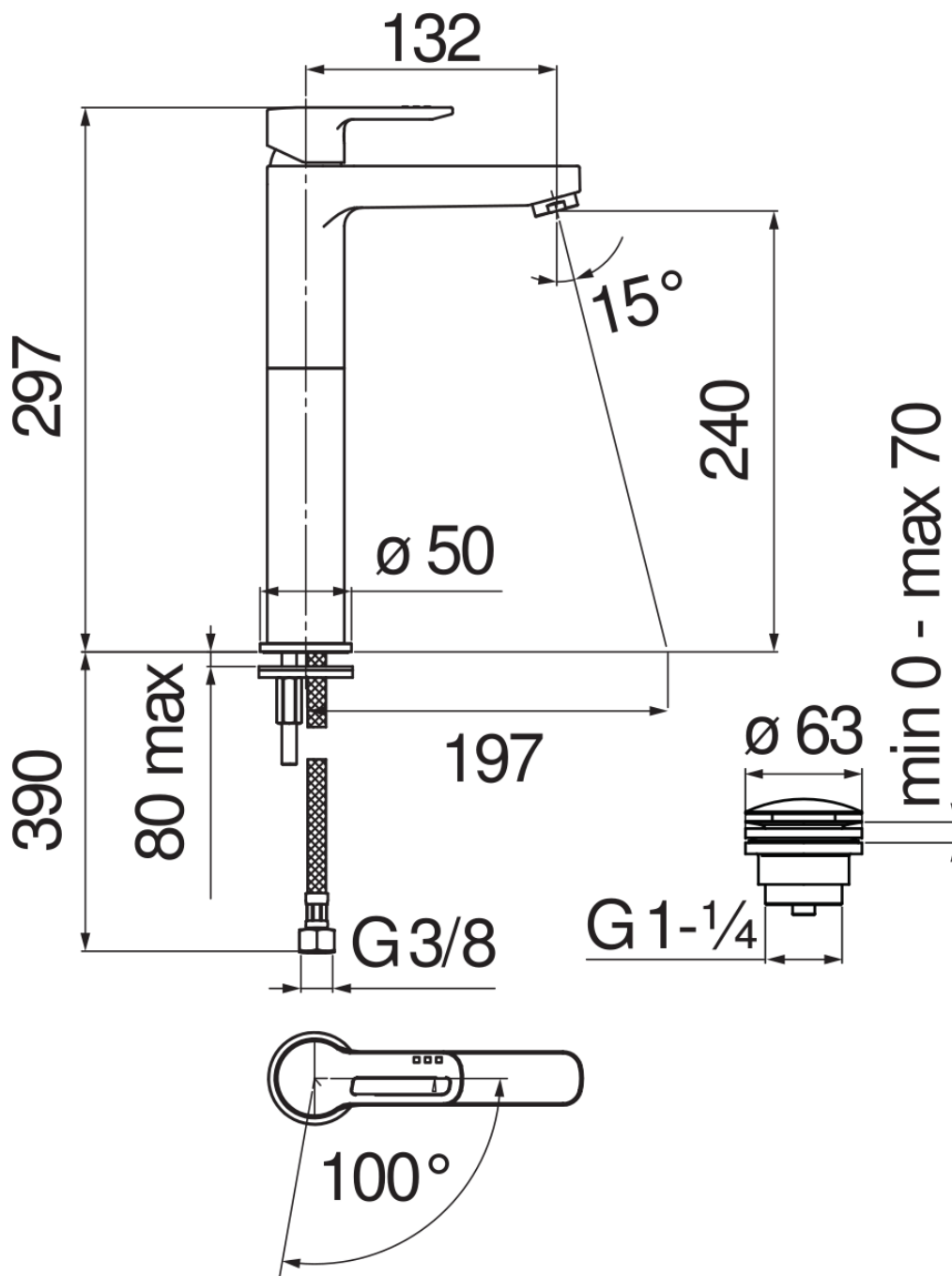
Anti limescale aerator M 24 x 1, flow rate 5 l/min

1 1/4" push waste

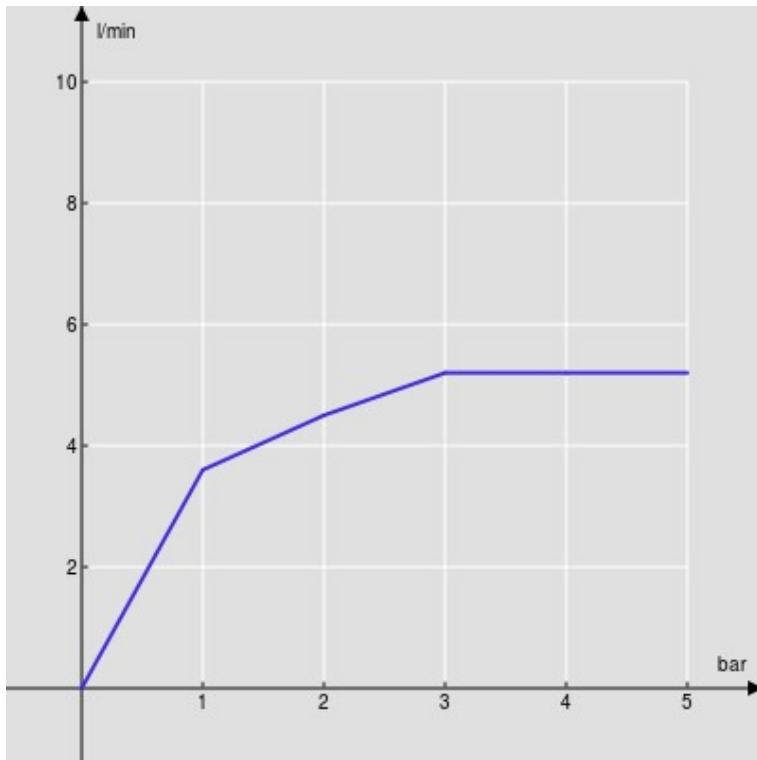
ø 3/8" stainless steel flexible pipe

Energy saving system with cold water side opening

Packaging: 41,5 x 16 x 7,5 cm / 0,00498 m³ / 2,54 kg

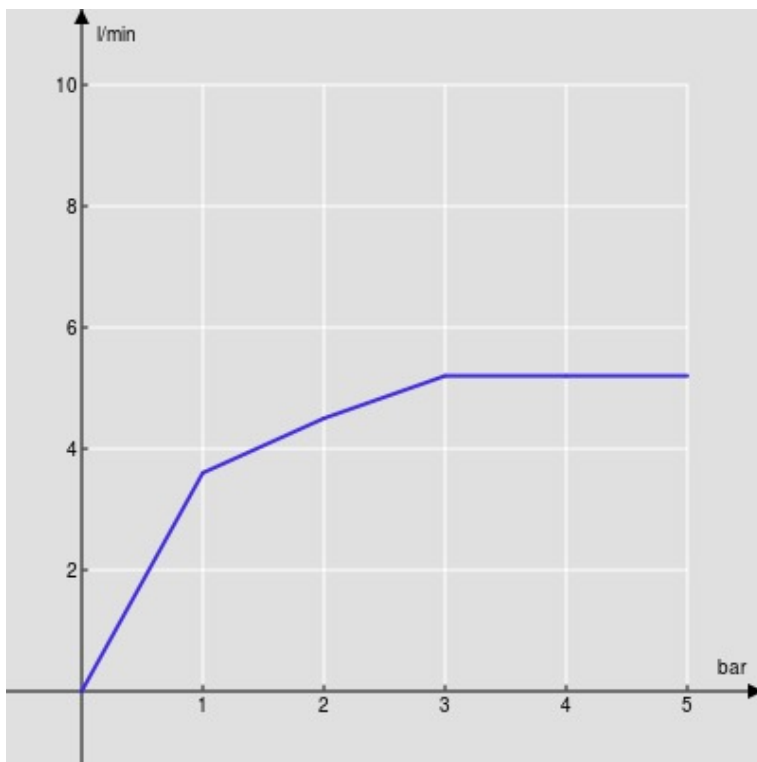


FLOW RATE DIAGRAM: HOT/COLD WATER



— Aerator

FLOW RATE DIAGRAM: MIXED WATER



— Aerator