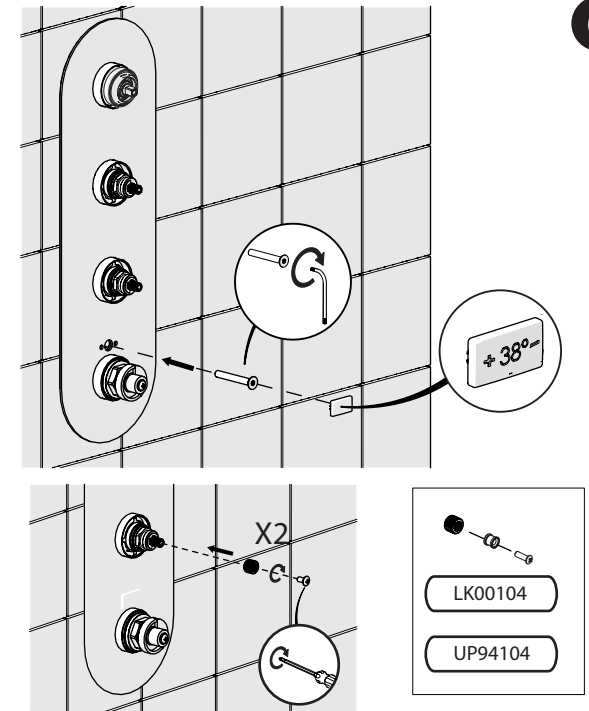
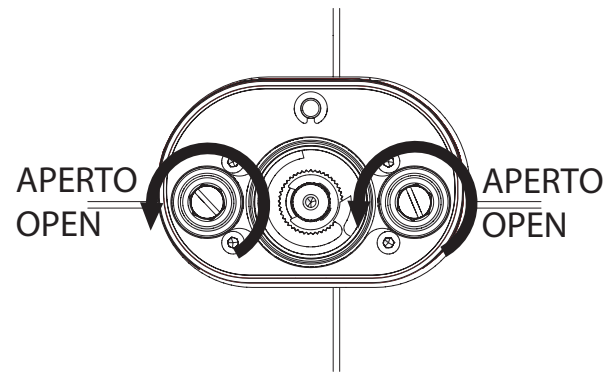
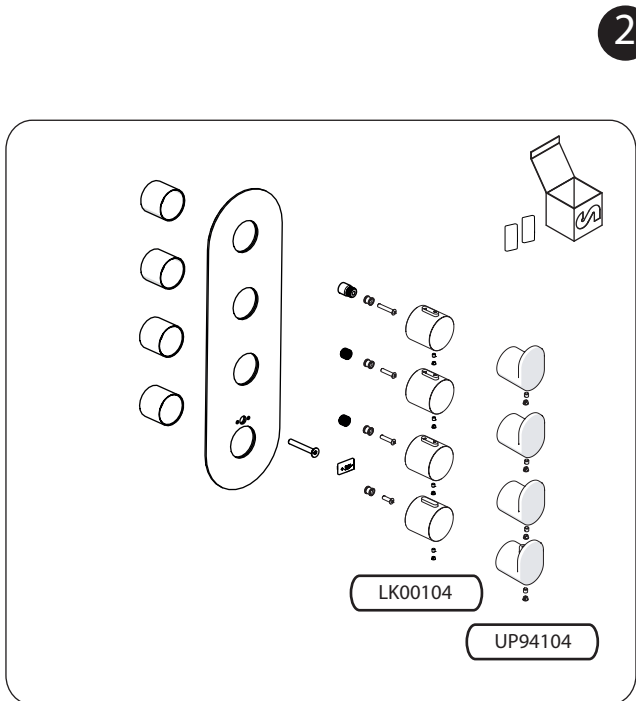
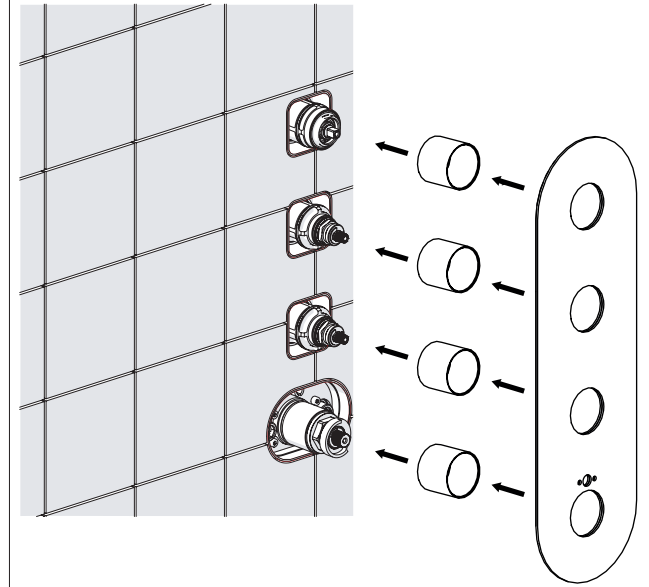
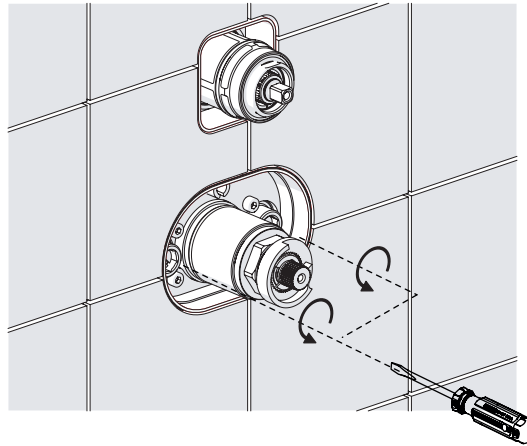
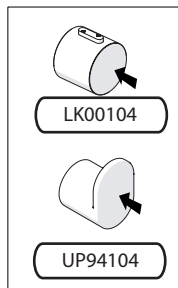
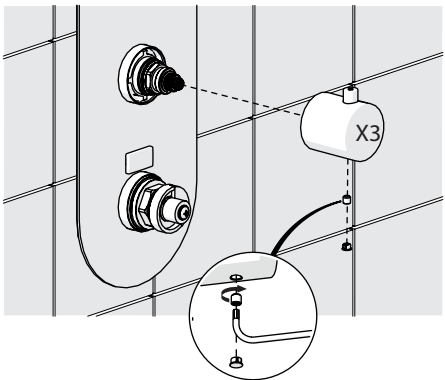
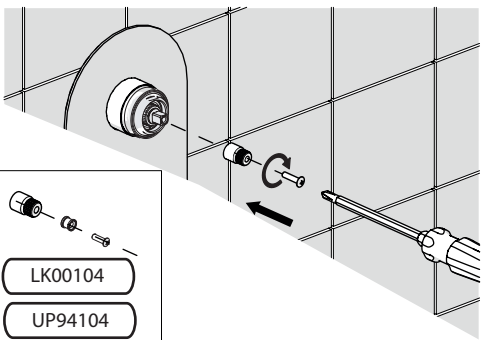


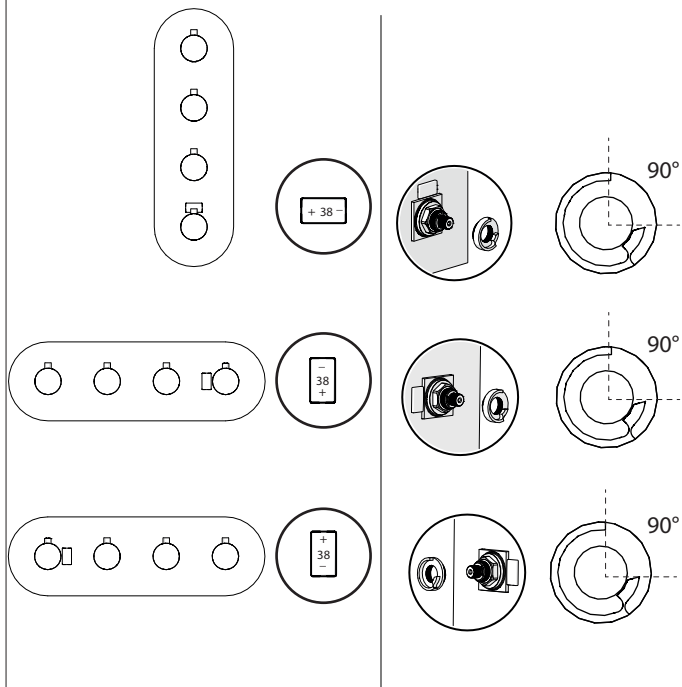
REF.
MANUAL
WE00104



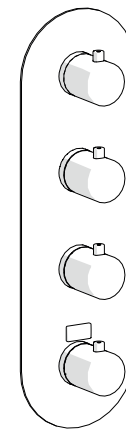
7



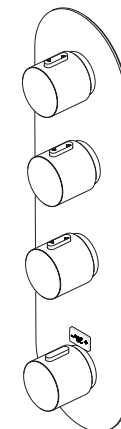
9



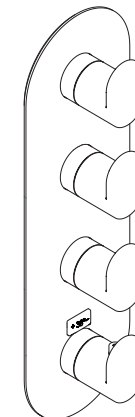
NOBILIS
The Best Technology for Water



WE00104/T



LK00104



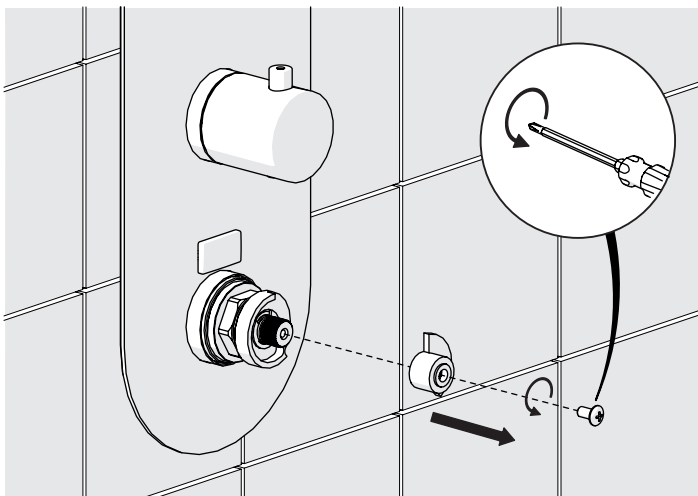
UP94104

IISTR00104/T#--STD


www.grupponobili.it

REV02.02/2017

8



10

