



SPECIFICATIONS

1-way external part

Chrome

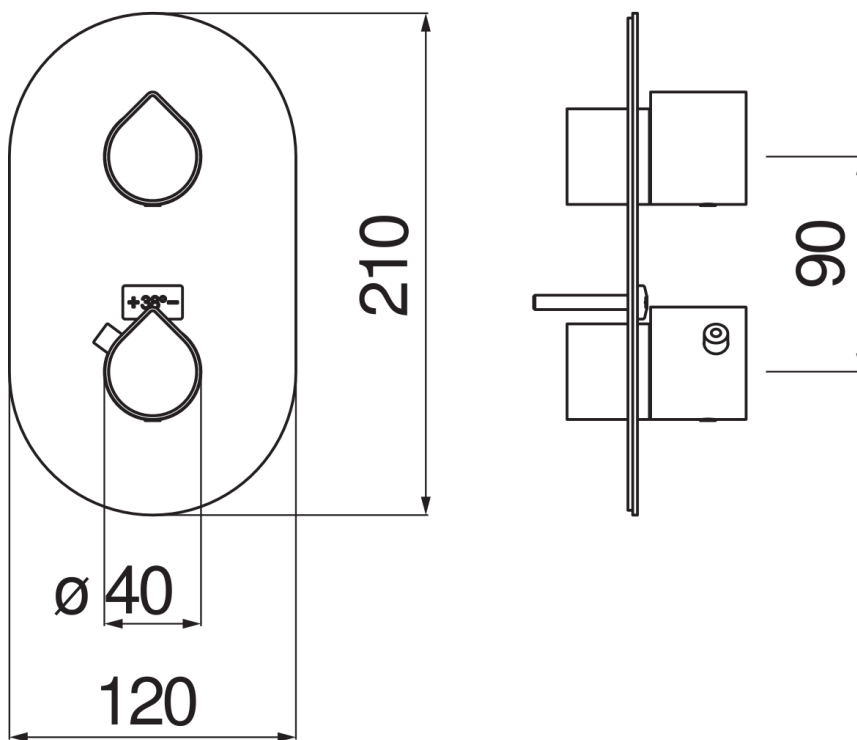
38° C safety cut-out

Vertical or horizontal assembly

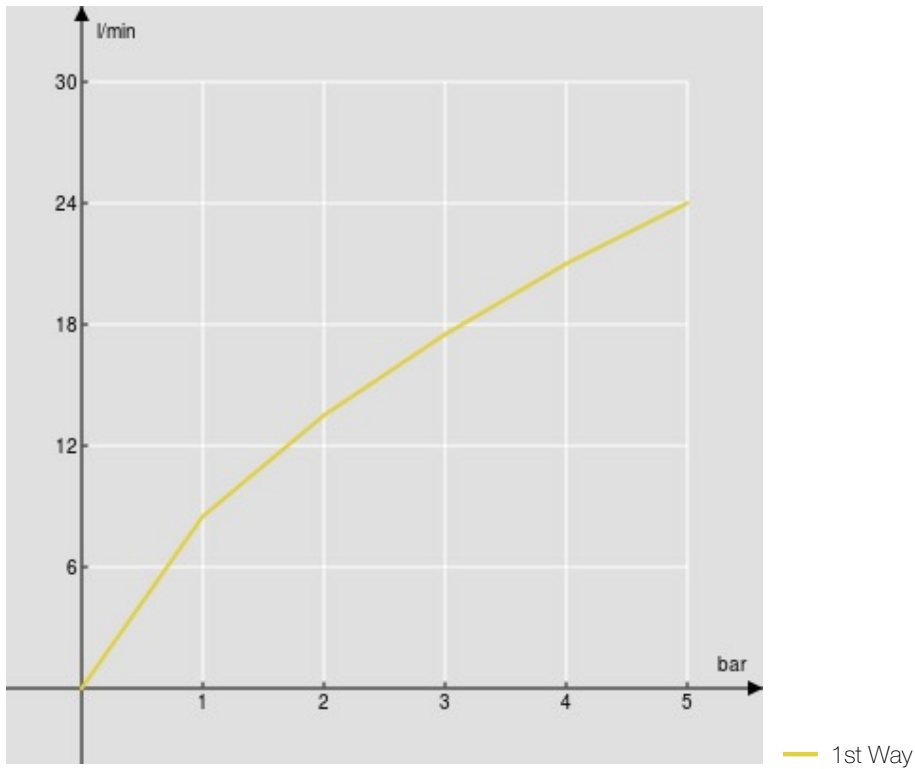
Packaging: 33 x 17 x 7 cm / 0,003927 m³ / 1,2 kg

CERTIFICATIONS





FLOW RATE DIAGRAM: HOT/COLD WATER



FLOW RATE DIAGRAM: MIXED WATER

