



SPECIFICATIONS

Basin single control

Inox

Anti limescale aerator M 18 x 1, flow rate 5 l/min

Swivel spout

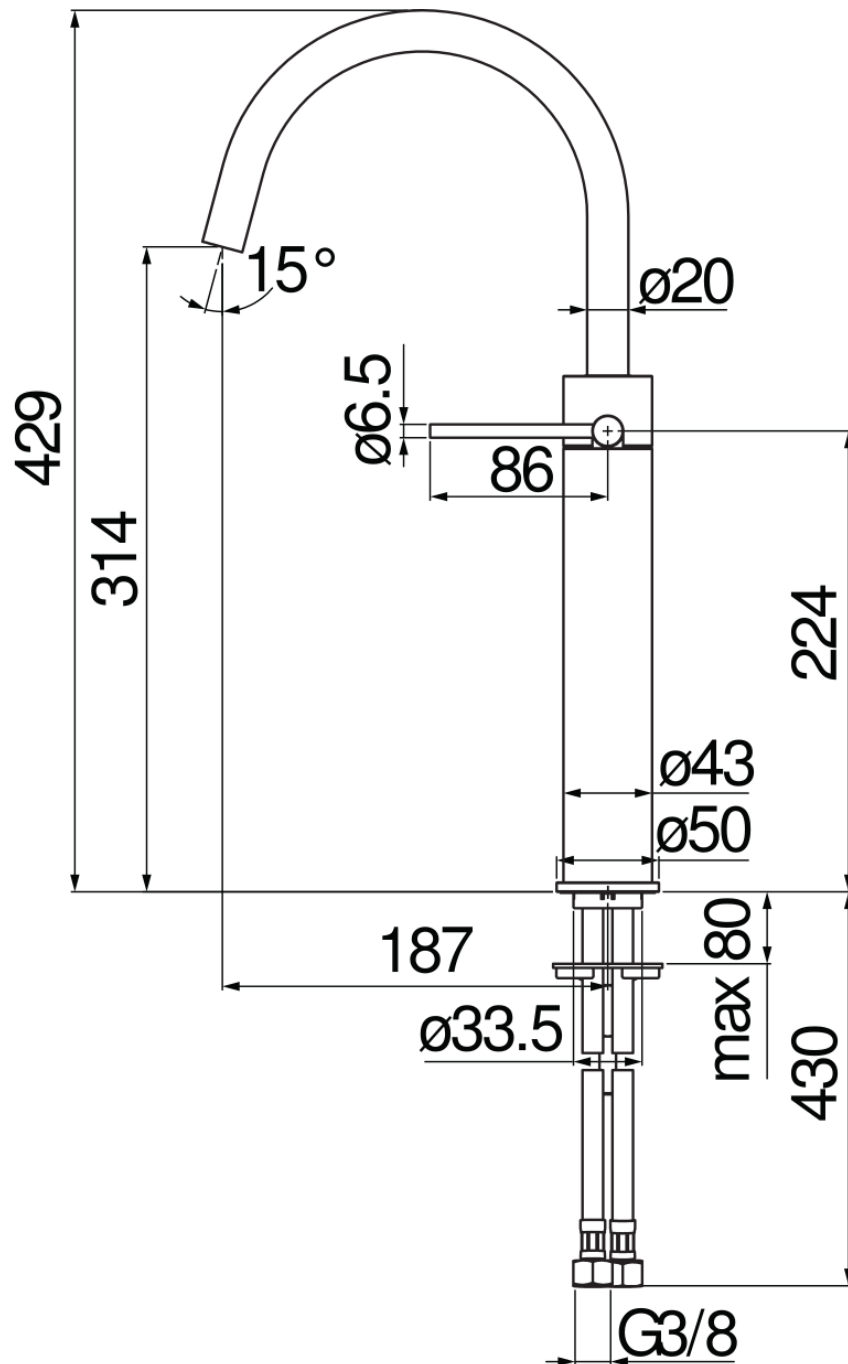
Without waste, \varnothing 3/8" stainless steel flexible pipe

Energy saving system with cold water side opening

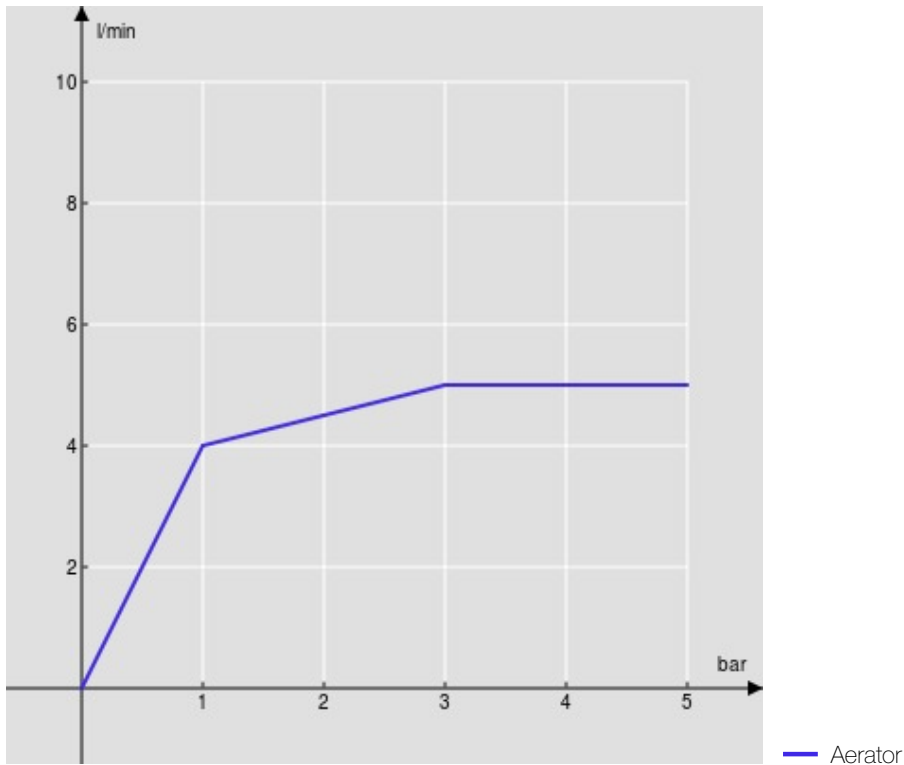
Packaging: 56,5 x 29 x 7,1 cm / 0,011633 m³

CERTIFICATIONS





FLOW RATE DIAGRAM: HOT/COLD WATER



FLOW RATE DIAGRAM: MIXED WATER

