

SPECIFICATIONS

Wall mounted 3 hole set external part

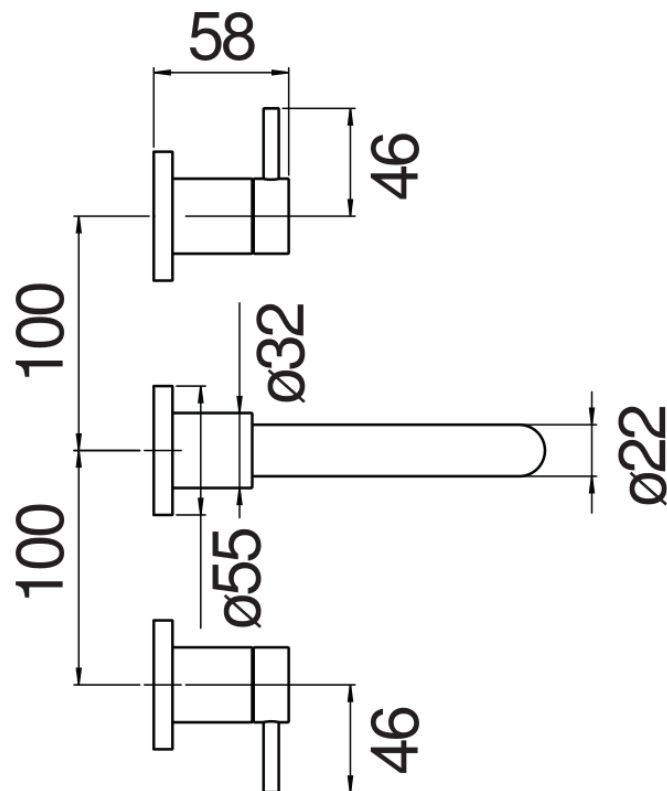
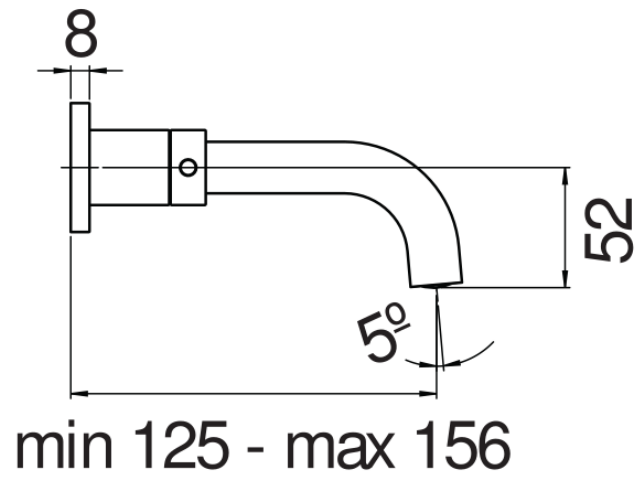
Moon drop PVD

Anti limescale aerator M 18,5 x 1, flow rate 5 l/min

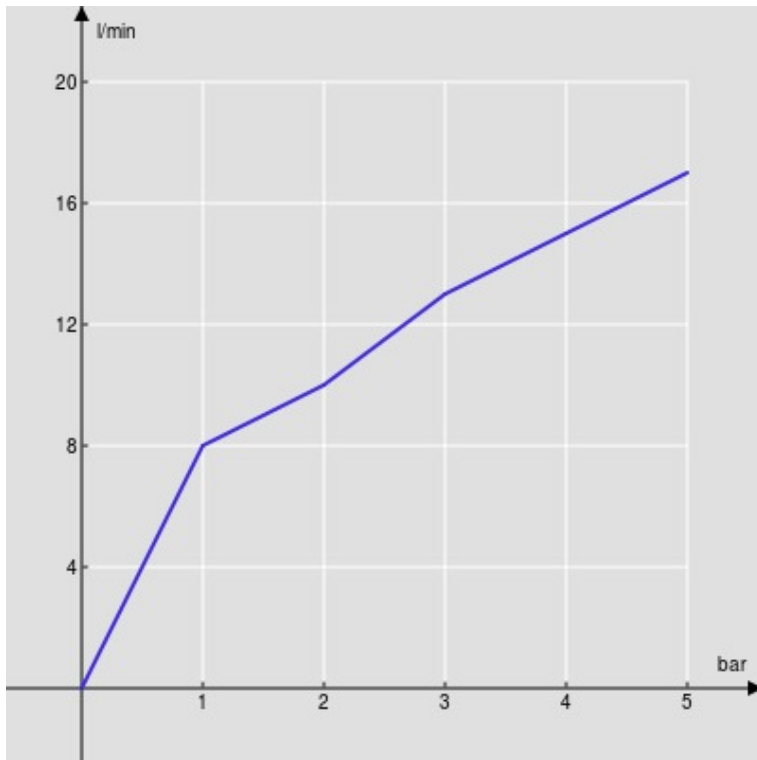
Length of spout: min 125 - max 156 mm

Without waste

Packaging: 41 x 21 x 7 cm / 0,006027 m<sup>3</sup> / 2,401 kg

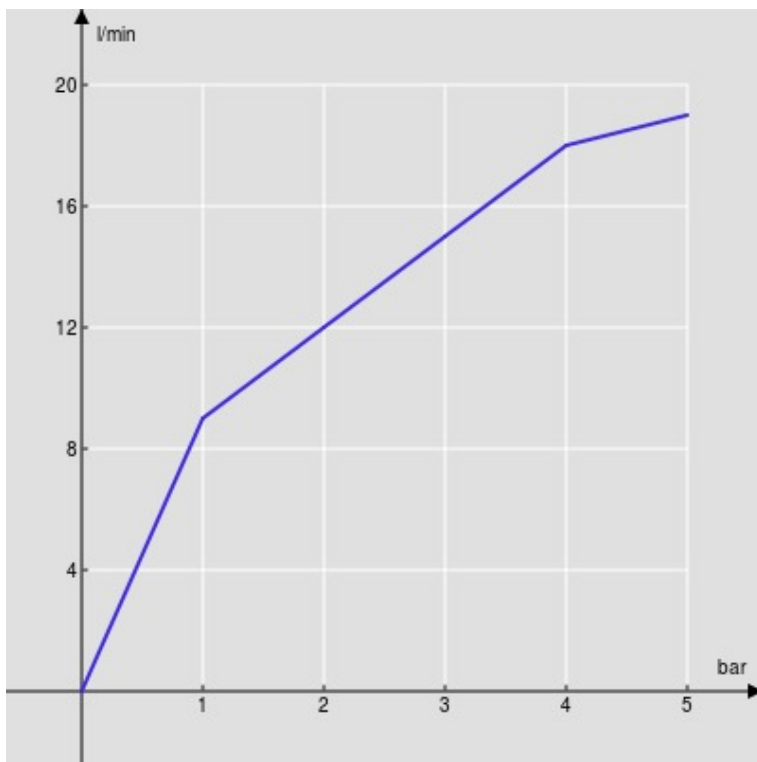


FLOW RATE DIAGRAM: HOT/COLD WATER



— Aerator

FLOW RATE DIAGRAM: MIXED WATER



— Aerator