



SPECIFICATIONS

Wellbox 1 way, required flush-fit part
ø 1/2" water inlet and outlet

Stop taps

Non-return valves

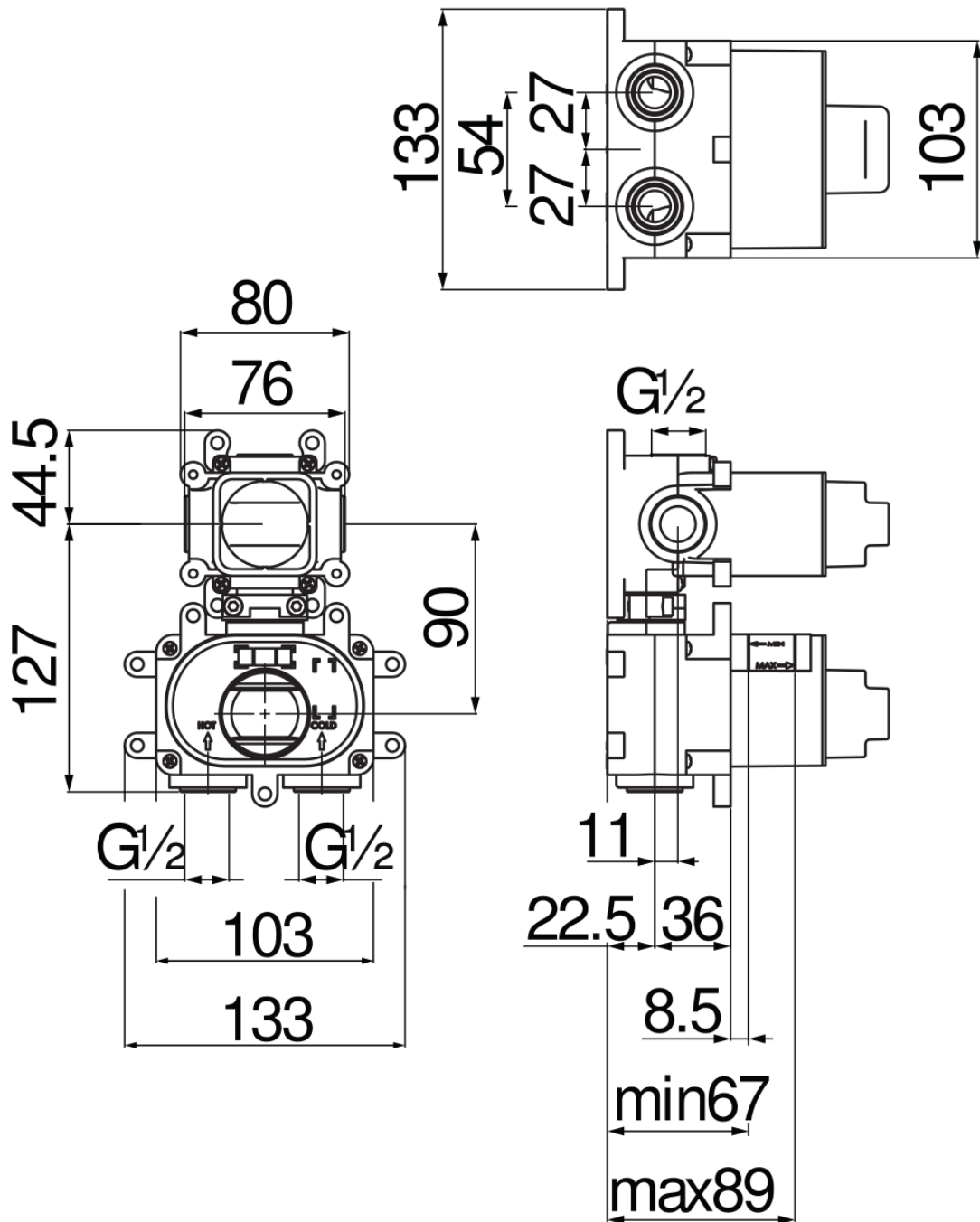
Also suitable for assembly on plasterboard

Cartridge spare filters included in the package

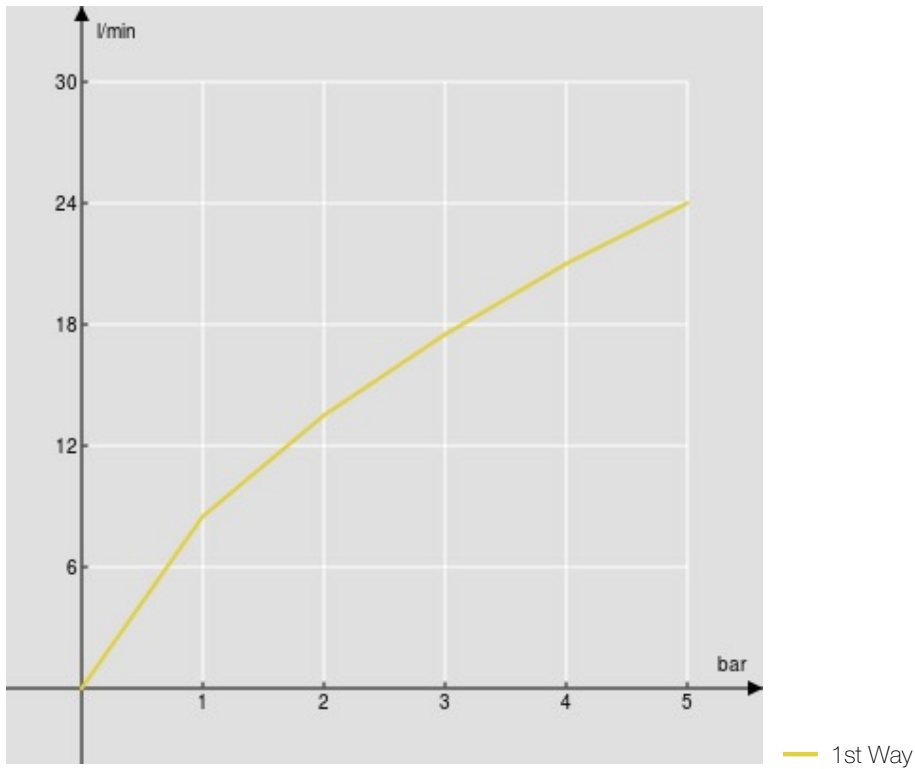
Packaging: 21 x 16,2 x 16,5 cm / 0,00561 m³ / 2,33 kg

CERTIFICATIONS





FLOW RATE DIAGRAM: HOT/COLD WATER



FLOW RATE DIAGRAM: MIXED WATER

